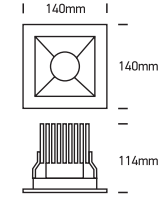


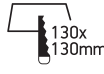
# INSTALLATION MANUAL

50130B

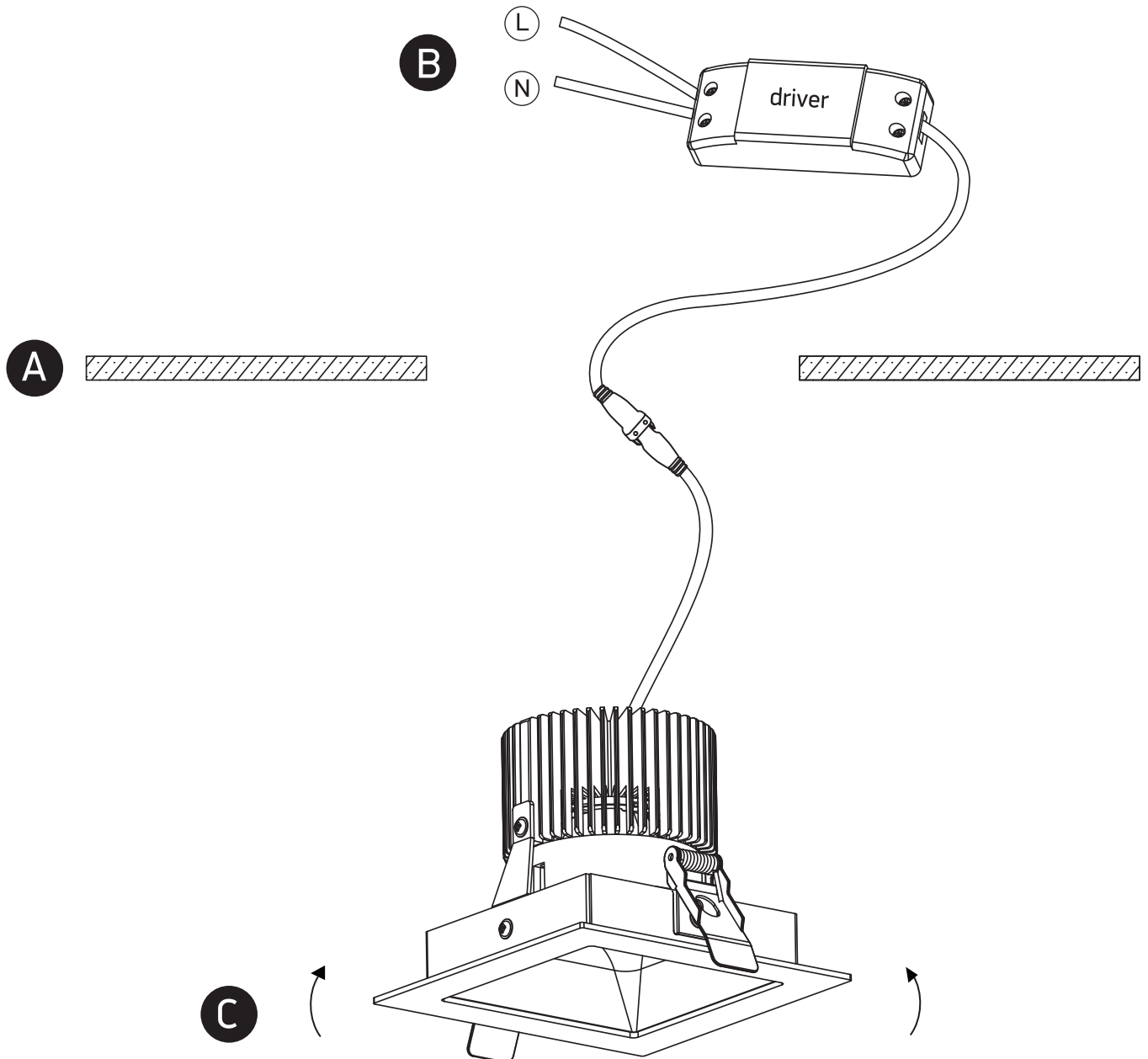
**ecodownlight**



230V | 30W | IP20 | Aluminium + metal  
Complete with 750mA driver.



80  
CRI



## Warnings:

1. Make sure that the product is installed properly before connecting to electricity.
2. Do not cover the fitting.
3. Maintenance and installation should only be carried out by a professional electrician.