

# INSTALLATION MANUAL

## 62184B

**LED**  
BUILT IN



**CE EAC UK CA**

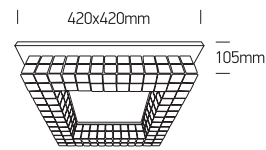
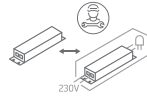
**RoHS**  
COMPLIANT



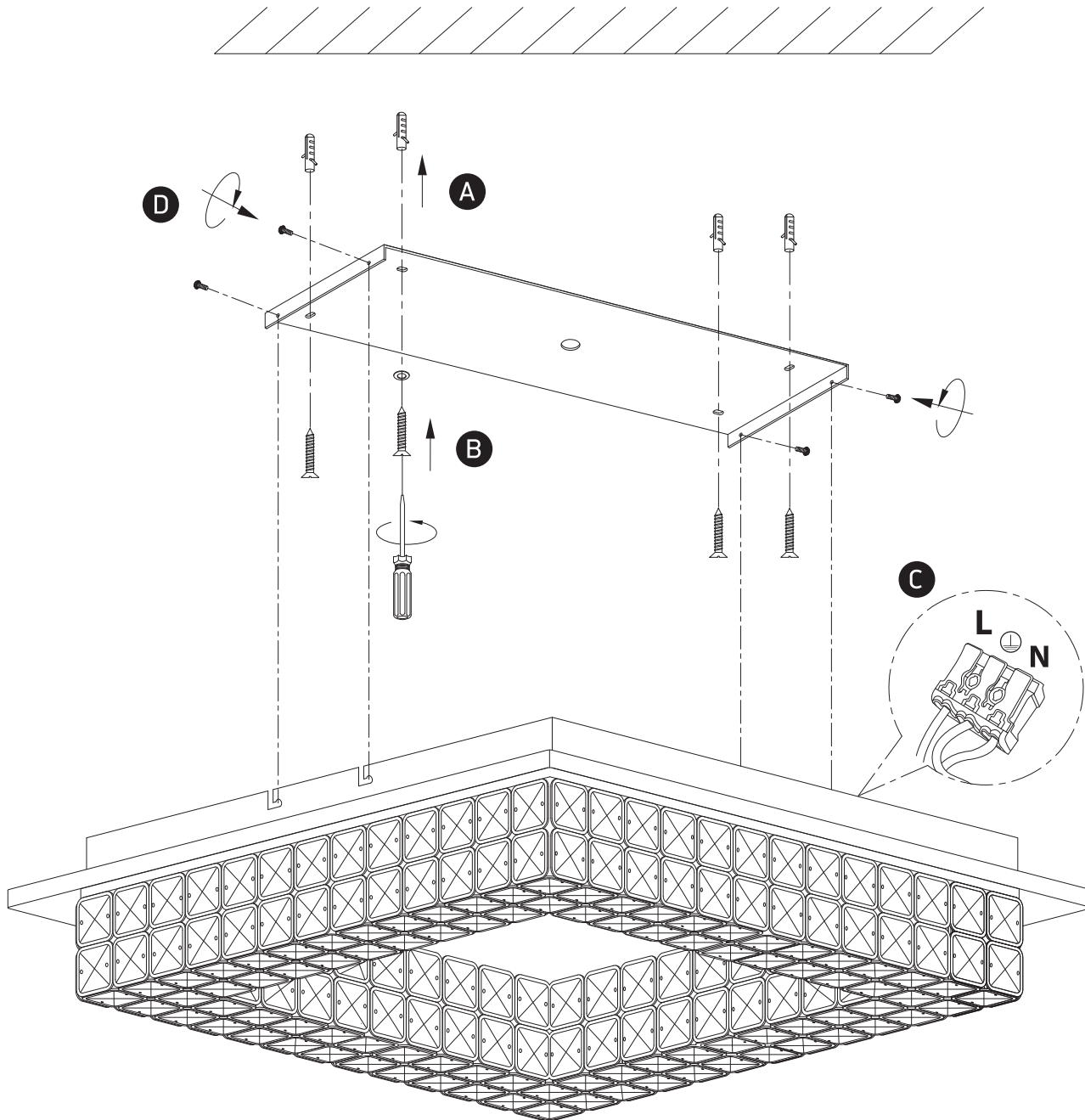
NOT  
DIMMABLE

230V | SMD 2835 | 24W | IP20 | Metal + glass  
Complete with 300mA driver.

**80**  
CRI



**one**  
LIGHT



### Warnings:

1. Make sure that the product is installed properly before connecting to electricity.
2. Do not cover the fitting.
3. Maintenance and installation should only be carried out by a professional electrician.