

INSTALLATION MANUAL

63054B

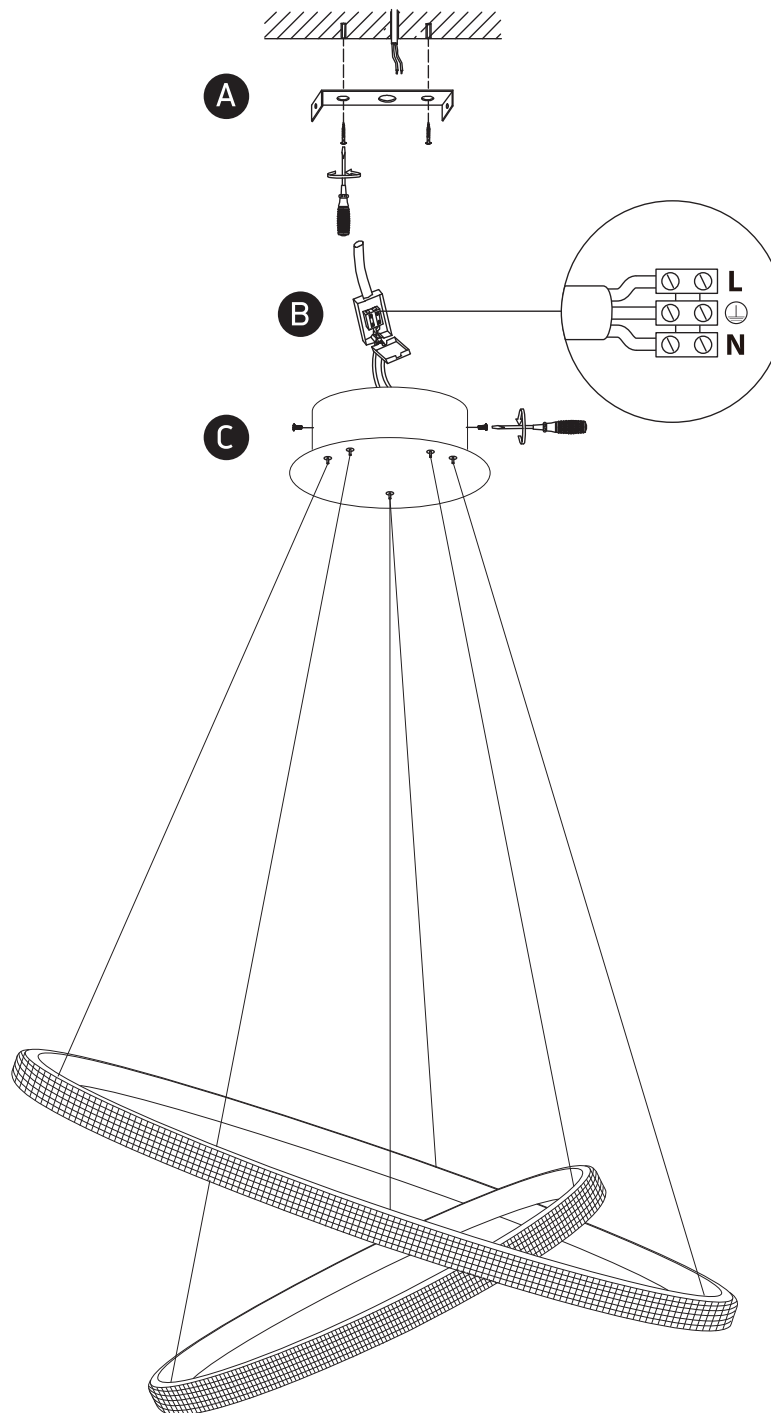
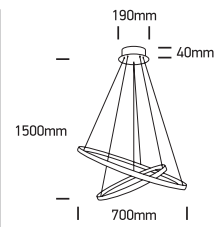
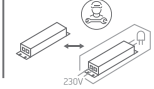
ecolight



80
CRI



230V | SMD 2835 | 40W | IP20 | Steel + aluminium + acrylic crystal look
Complete with 24V DC driver.



Warnings:

1. Fix the base on the ceiling.
2. Make sure that the product is installed properly before connecting to electricity.
3. Connect the AC power cable to the driver's cable as shown in the above diagram.
4. Do not cover the fitting.
5. Maintenance and installation should only be carried out by a professional electrician.