

# INSTALLATION MANUAL

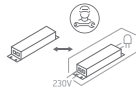
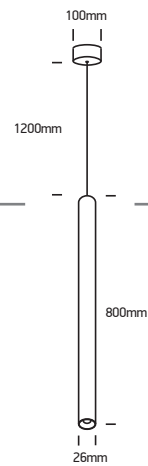
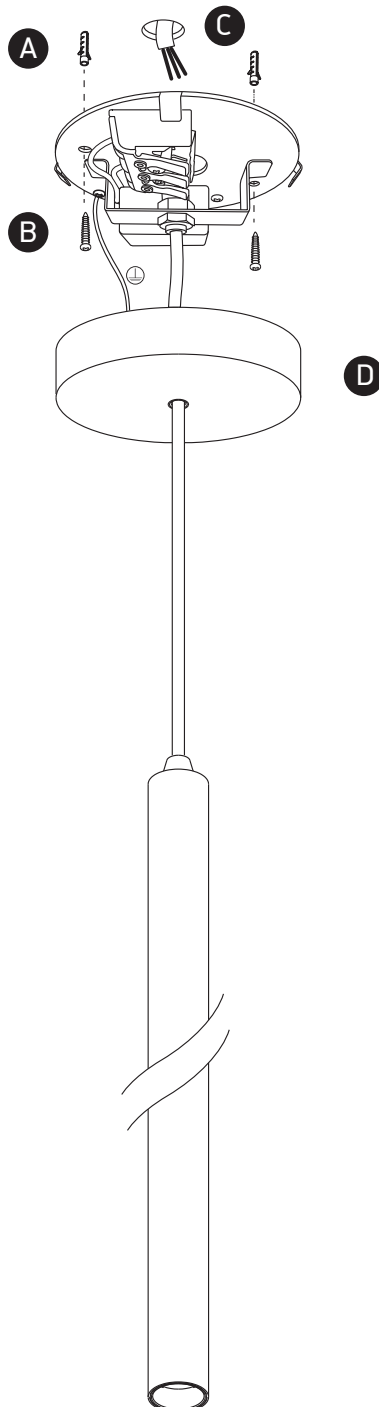
## 63108B

**ecolight**

**CE EAC UK**
**RoHS**  
COMPLIANT

\*NOT DIMMABLE

230V | COB LED | 6W | IP20 | Die cast  
 Complete with 700mA driver.


**80**  
**CRI**

**one**  
 LIGHT


### Warnings:

1. Make sure that the product is installed properly before connecting to electricity.
2. Do not cover the fitting.
3. Maintenance and installation should only be carried out by a professional electrician.