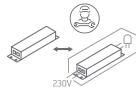


INSTALLATION MANUAL

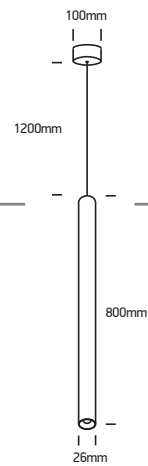
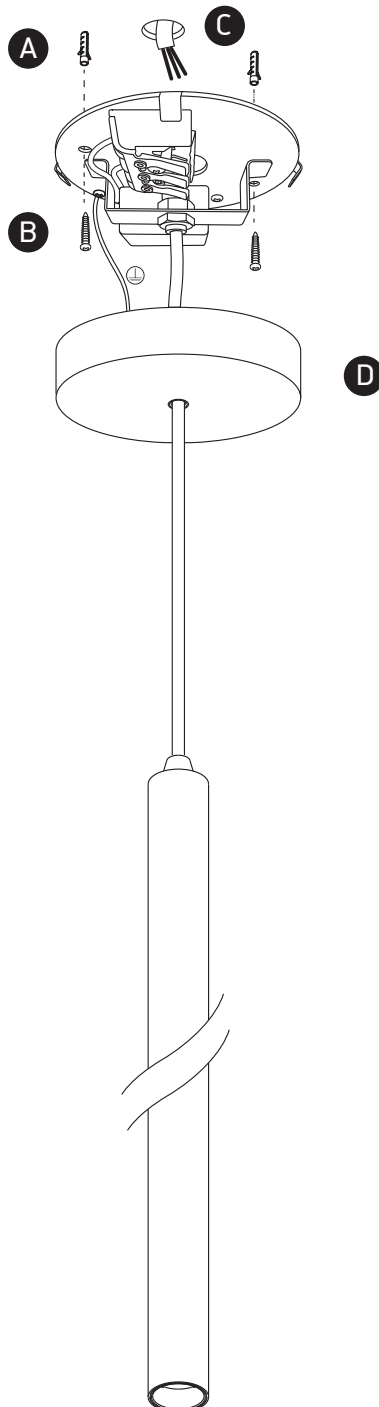
63108B

ecolight


230V | COB LED | 6W | IP20 | Die cast
Complete with 700mA driver.



80
CRI


one
LIGHT


Warnings:

1. Make sure that the product is installed properly before connecting to electricity.
2. Do not cover the fitting.
3. Maintenance and installation should only be carried out by a professional electrician.