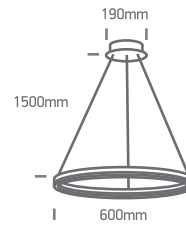


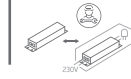
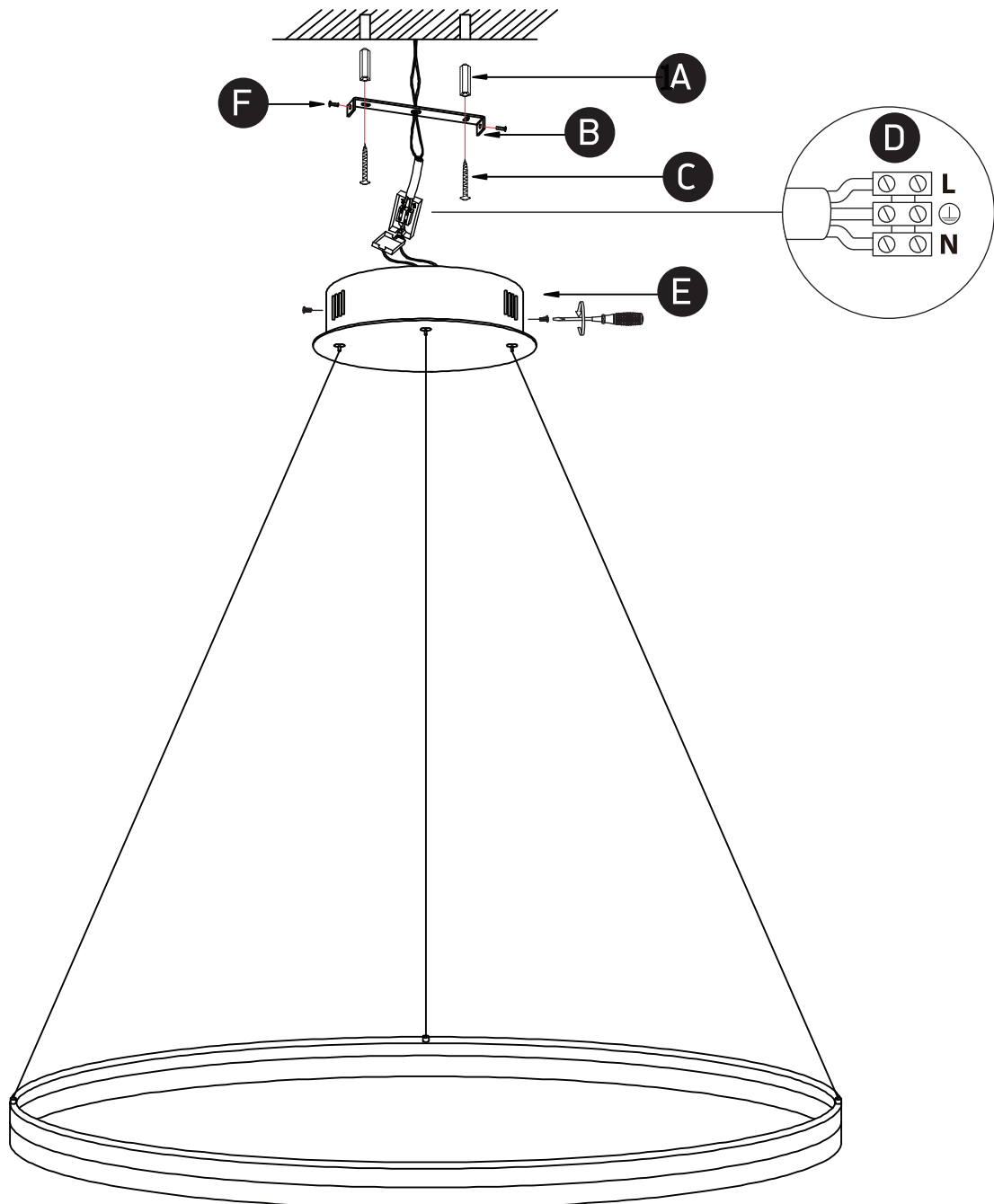
INSTALLATION MANUAL

63144A

LED
BUILT IN

CE EAC UK CA
RoHS
COMPLIANT

one
LIGHT

230V | SMD 2835 | 40W | IP20 | Steel + aluminium + acrylic
Complete with 650mA driver.


80
CRI


Warnings:

1. Fix the base on the ceiling.
2. Make sure that the product is installed properly before connecting to electricity.
3. Connect the AC power cable to the driver's cable as shown in the above diagram.
4. Do not cover the fitting.
5. Maintenance and installation should only be carried out by a professional electrician.