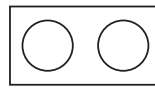
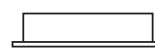


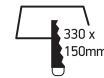
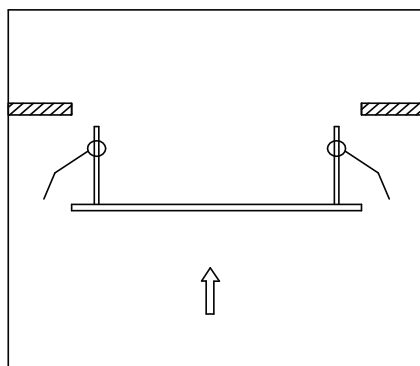
INSTALLATION MANUAL

51200R

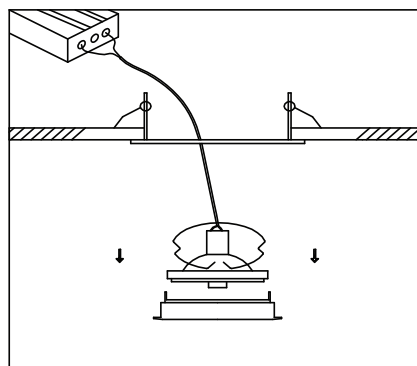
Multi System Base

361x
181mm

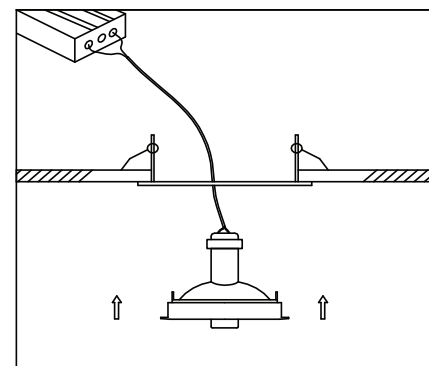
55mm

330 x
150mm
one
LIGHT


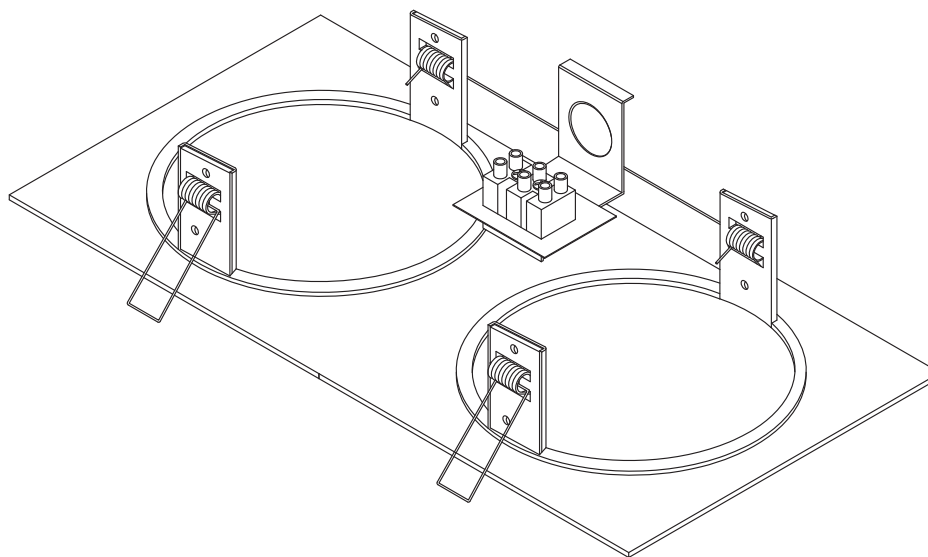
A Insert the mounting base into the hole



B Insert the corresponding lamp into desired module



C Insert the complete module into the base



Warnings:

1. Make sure that the product is installed properly before connecting to electricity.
2. Do not cover the fitting.
3. Maintenance and installation should only be carried out by a professional electrician.