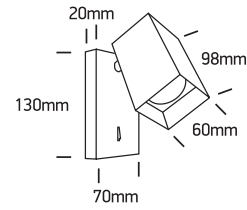


# INSTALLATION MANUAL

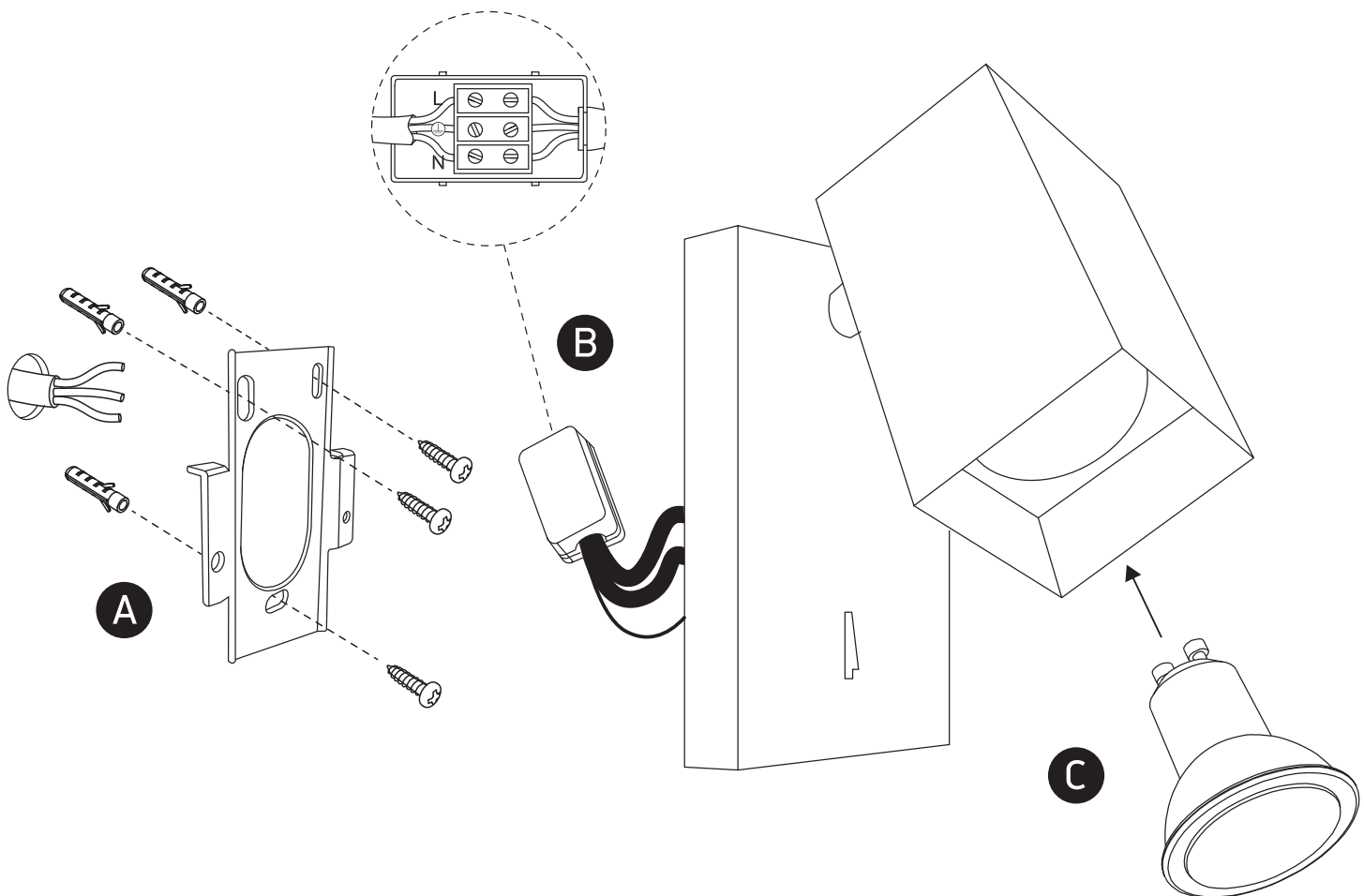
## 65105NBA



100-240V | MR16 | GU10 | 10W | IP20 | Aluminium | Adjustable

With switch.

one  
LIGHT



### Warnings:

1. Make sure that the product is installed properly before connecting to electricity.
2. Do not cover the fitting.
3. Maintenance and installation should only be carried out by a professional electrician.