

INSTALLATION MANUAL

65110E

ecolight

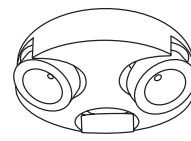


CE

RoHS
COMPLIANT



300mm



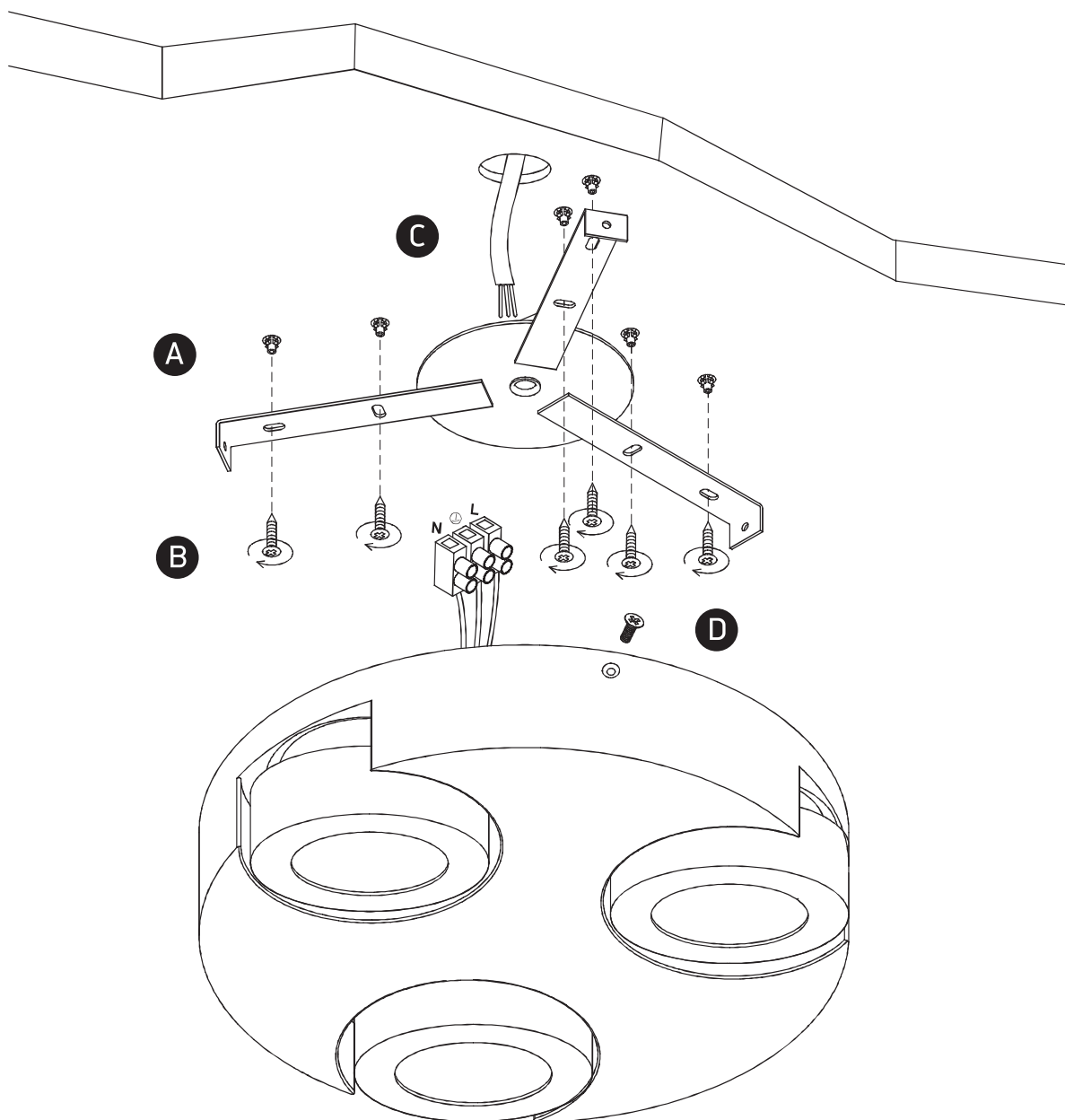
57mm

one
LIGHT

230V | 3x10W | IP20 | Die cast | Adjustable

Complete with driver

80
CRI



Warnings:

1. Make sure that the product is installed properly before connecting to electricity.
2. Do not cover the fitting.
3. Maintenance and installation should only be carried out by a professional electrician.