

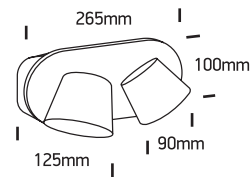
INSTALLATION MANUAL

65740A

ecolight

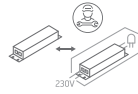


ADJUSTABLE

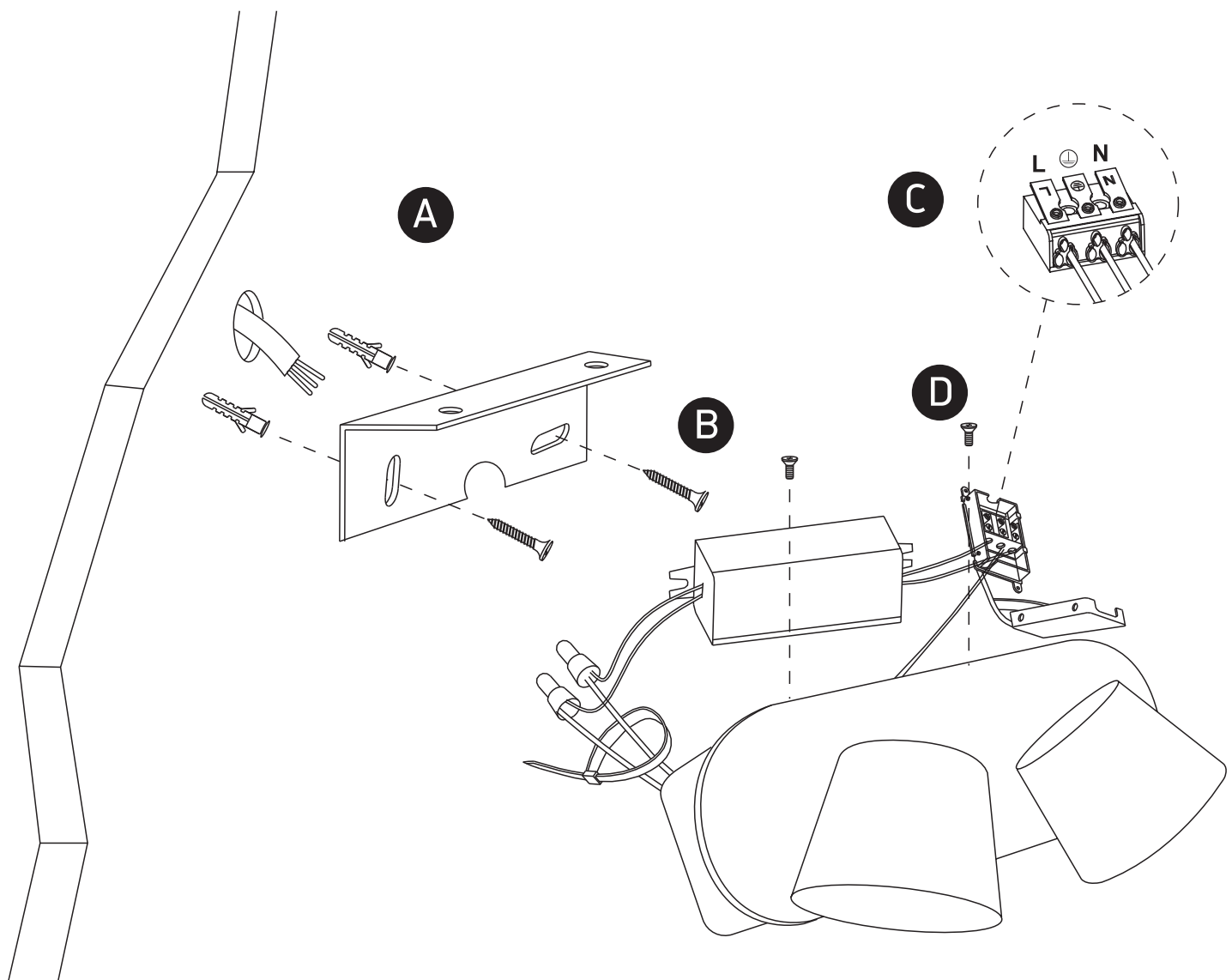


one
LIGHT

230V | SMD 2835 | 2x6W | IP20 | Aluminium
Complete with 300mA driver.



80
CRI



Warnings:

1. Make sure that the product is installed properly before connecting to electricity.
2. Do not cover the fitting.
3. Maintenance and installation should only be carried out by a professional electrician.