

INSTALLATION MANUAL

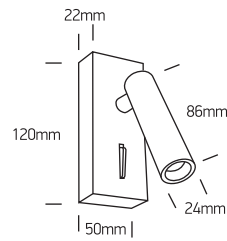
65746

LED
BUILT IN

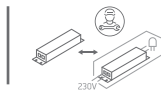


CE EAC UK CA

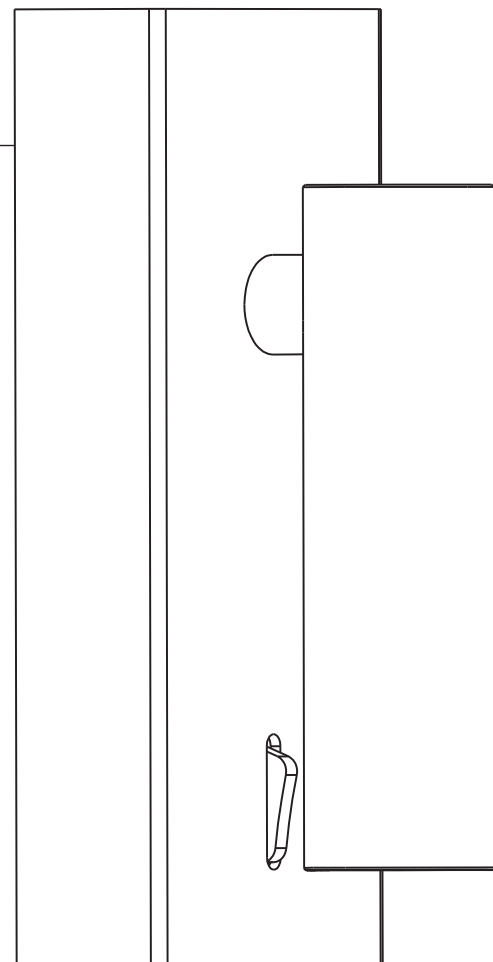
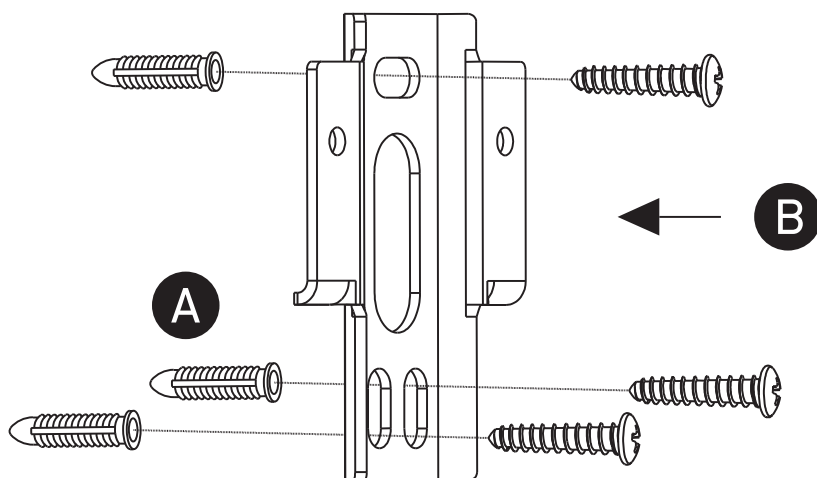
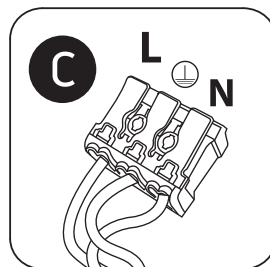
RoHS
COMPLIANT



230V | LED | 3W | IP20 | Aluminium
Complete with 700mA driver.



90
CRI



D

Warnings:

1. Make sure that the product is installed properly before connecting to electricity.
2. Do not cover the fitting.
3. Maintenance and installation should only be carried out by a professional electrician.