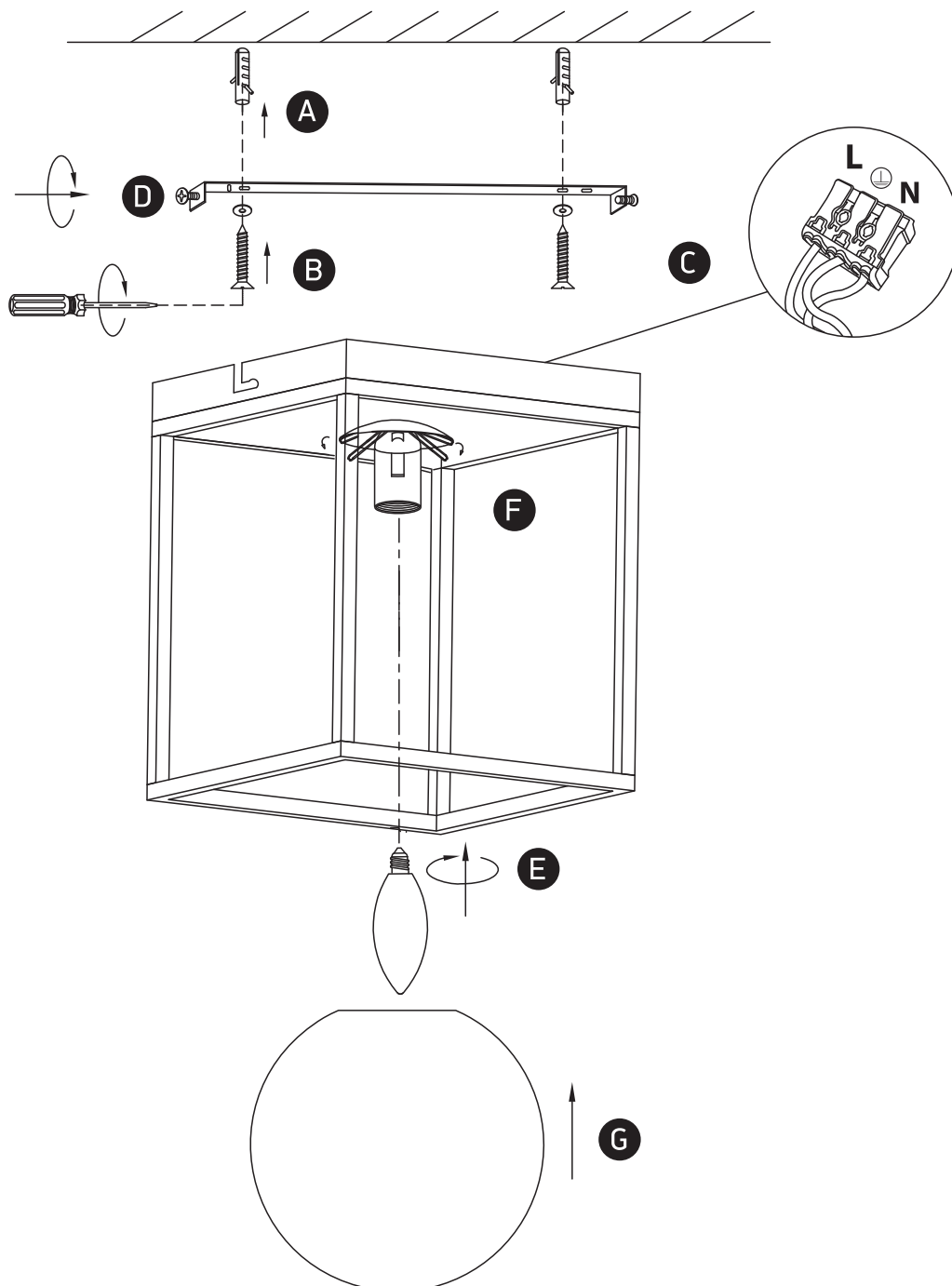
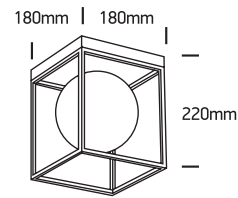


INSTALLATION MANUAL

62174A



100-240V | E14 | 8W | IP20 | Metal + glass



Warnings:

1. Make sure that the product is installed properly before connecting to electricity.
2. Do not cover the fitting.
3. Maintenance and installation should only be carried out by a professional electrician.