

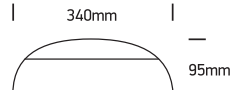
INSTALLATION MANUAL

67218E

LED
BUILT IN

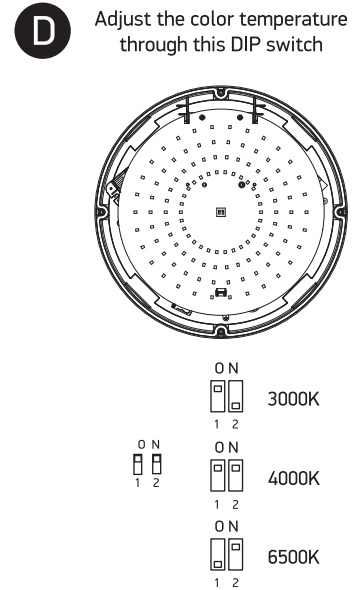
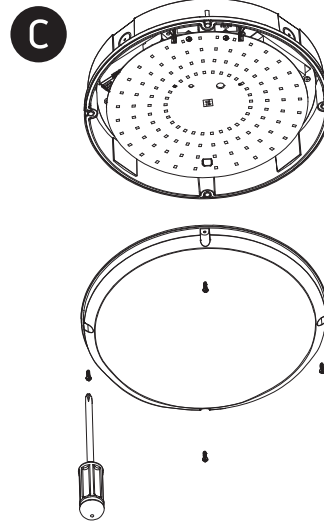
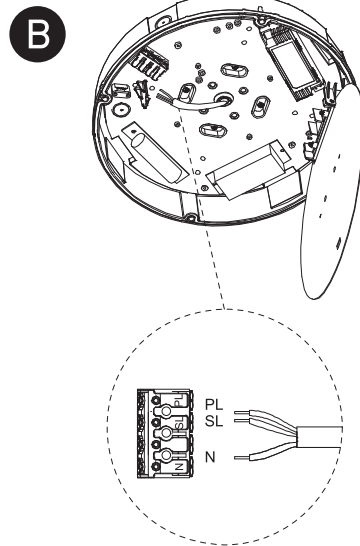
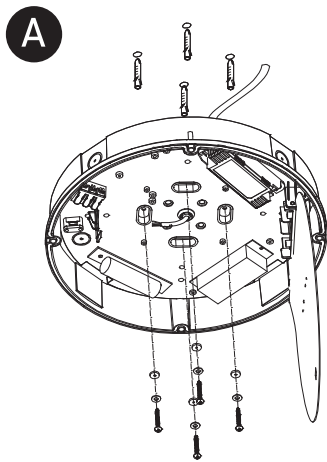
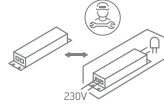


80
CRI

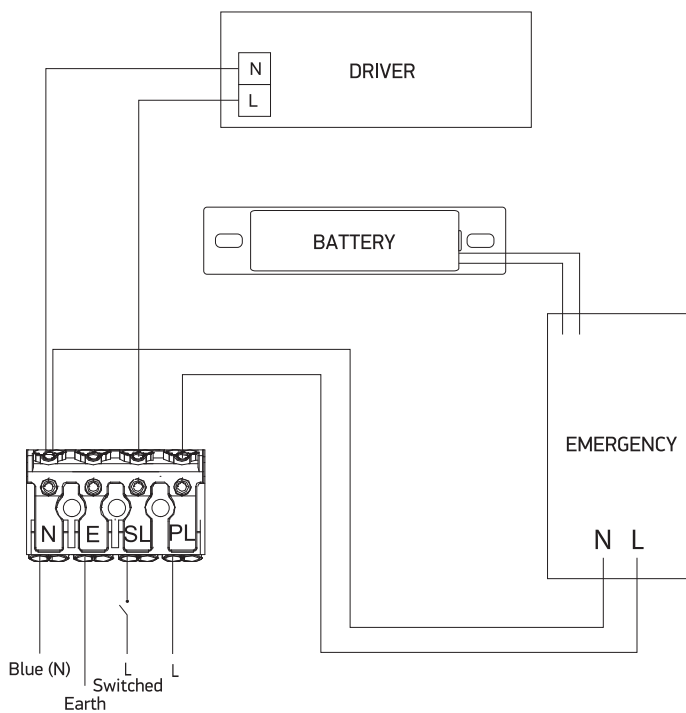


230V | SMD 2835 | 15W | IP65

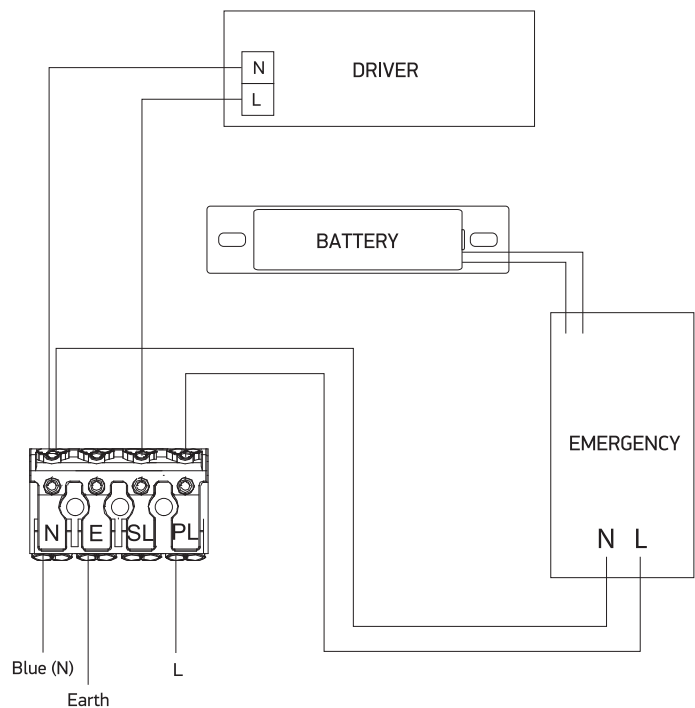
Emergency 3Hrs Non-Maintained | CCT Adjustable | Plastic
Complete with 180mA driver.



Wiring diagram (Maintained)



Wiring diagram (Non-maintained)



Warnings:

1. Fix the base on the ceiling.
2. Make sure that the product is installed properly before connecting to electricity.
3. Connect the AC power cable to the driver's cable as shown in the above diagram.
4. Do not cover the fitting.
5. Maintenance and installation should only be carried out by a professional electrician.