

# INSTALLATION MANUAL

## 65025T

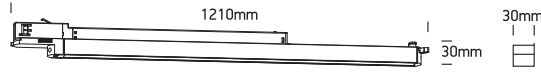
ecotrackspot



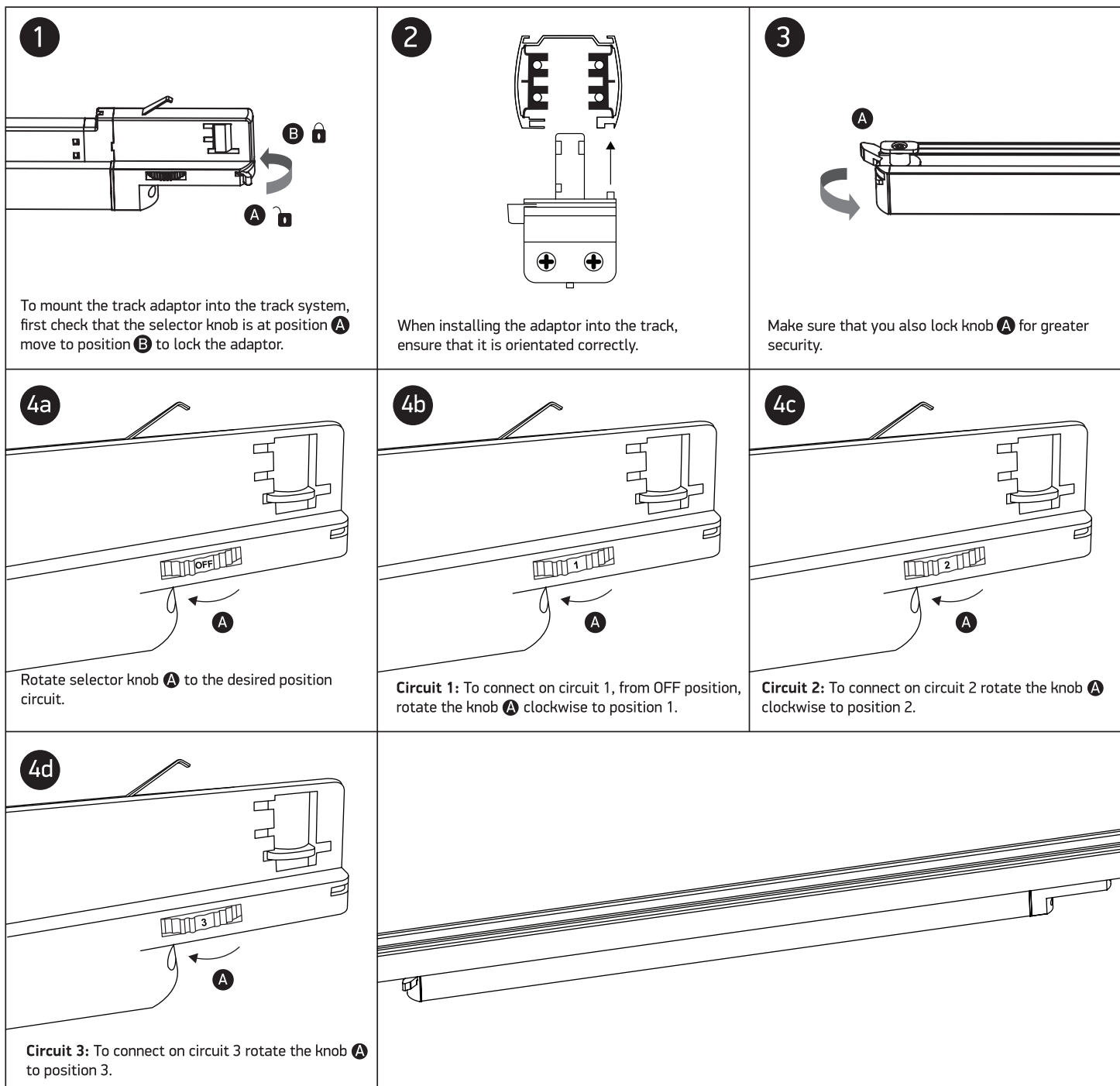
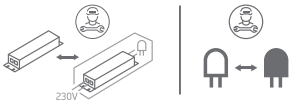
80  
CRI



25W | SMD 2835 | 100-240V | 50/60Hz | IP20 | Aluminium + PC  
Complete with 600mA driver.



one  
LIGHT



### Warnings:

1. Make sure that the product is installed properly before connecting to electricity.
2. Do not cover the fitting.
3. Maintenance and installation should only be carried out by a professional electrician.