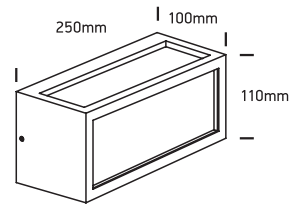


INSTALLATION MANUAL

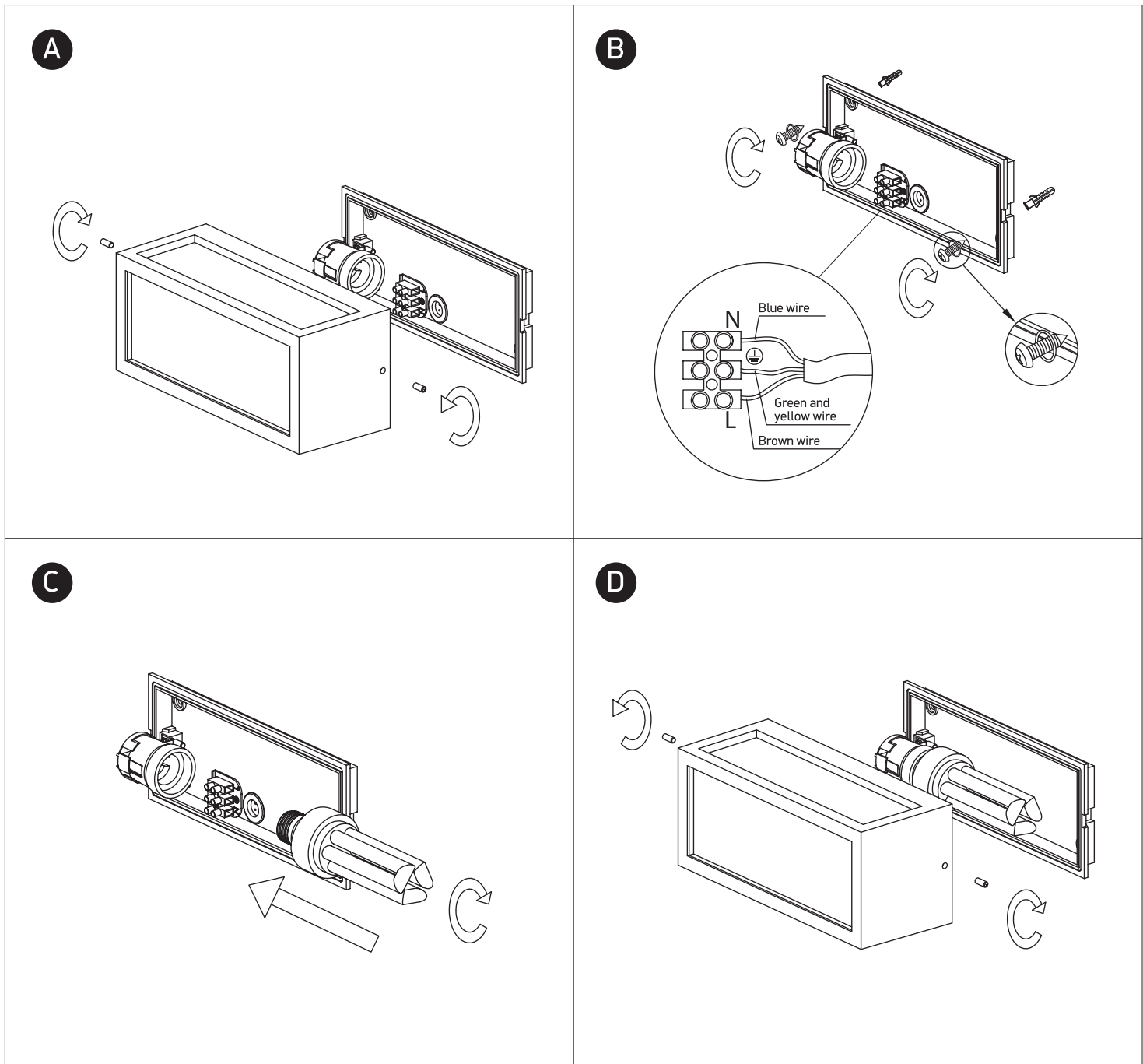
67328



100-240V | E27 | 20W | IP54 | Die cast + PC



one
LIGHT



Warnings:

1. Make sure that the product is installed properly before connecting to electricity.
2. Do not cover the fitting.
3. Maintenance and installation should only be carried out by a professional electrician.