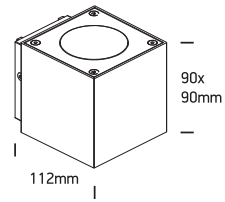


# INSTALLATION MANUAL

67354

ecolight

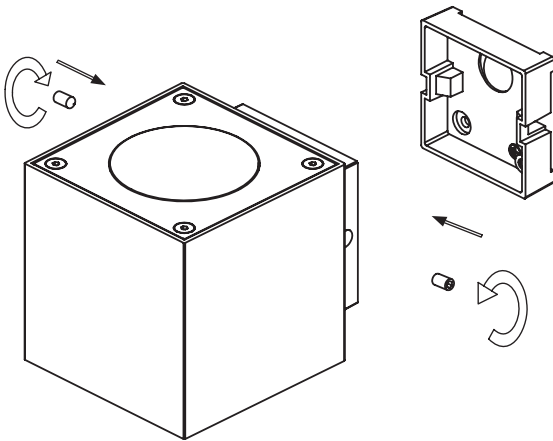


100-240V | 2x3W | IP54 | Die cast

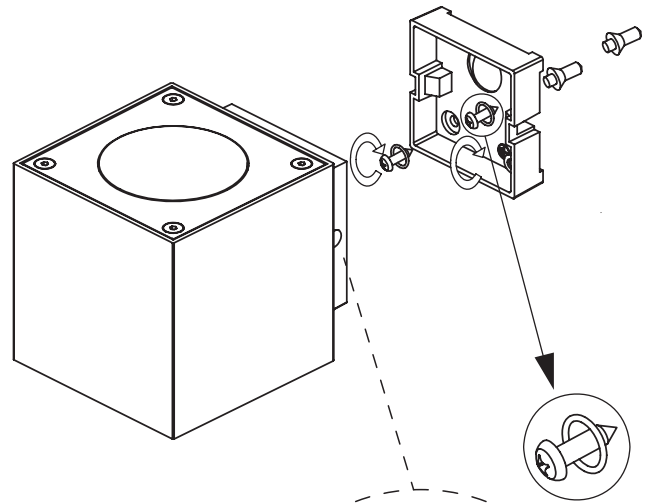
Complete with driver

one  
LIGHT

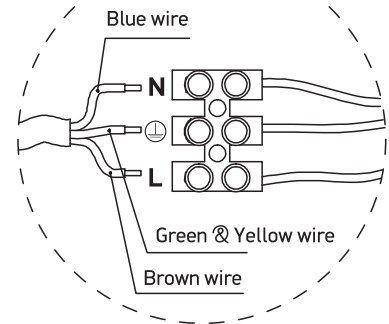
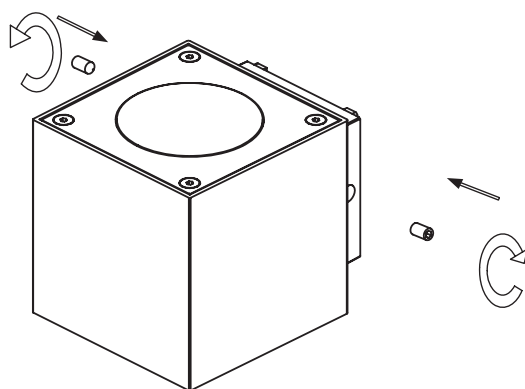
A



B



C



## Warnings:

1. Make sure that the product is installed properly before connecting to electricity.
2. Do not cover the fitting.
3. Maintenance and installation should only be carried out by a professional electrician.