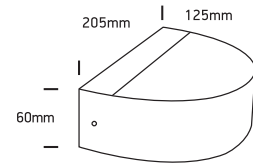


INSTALLATION MANUAL

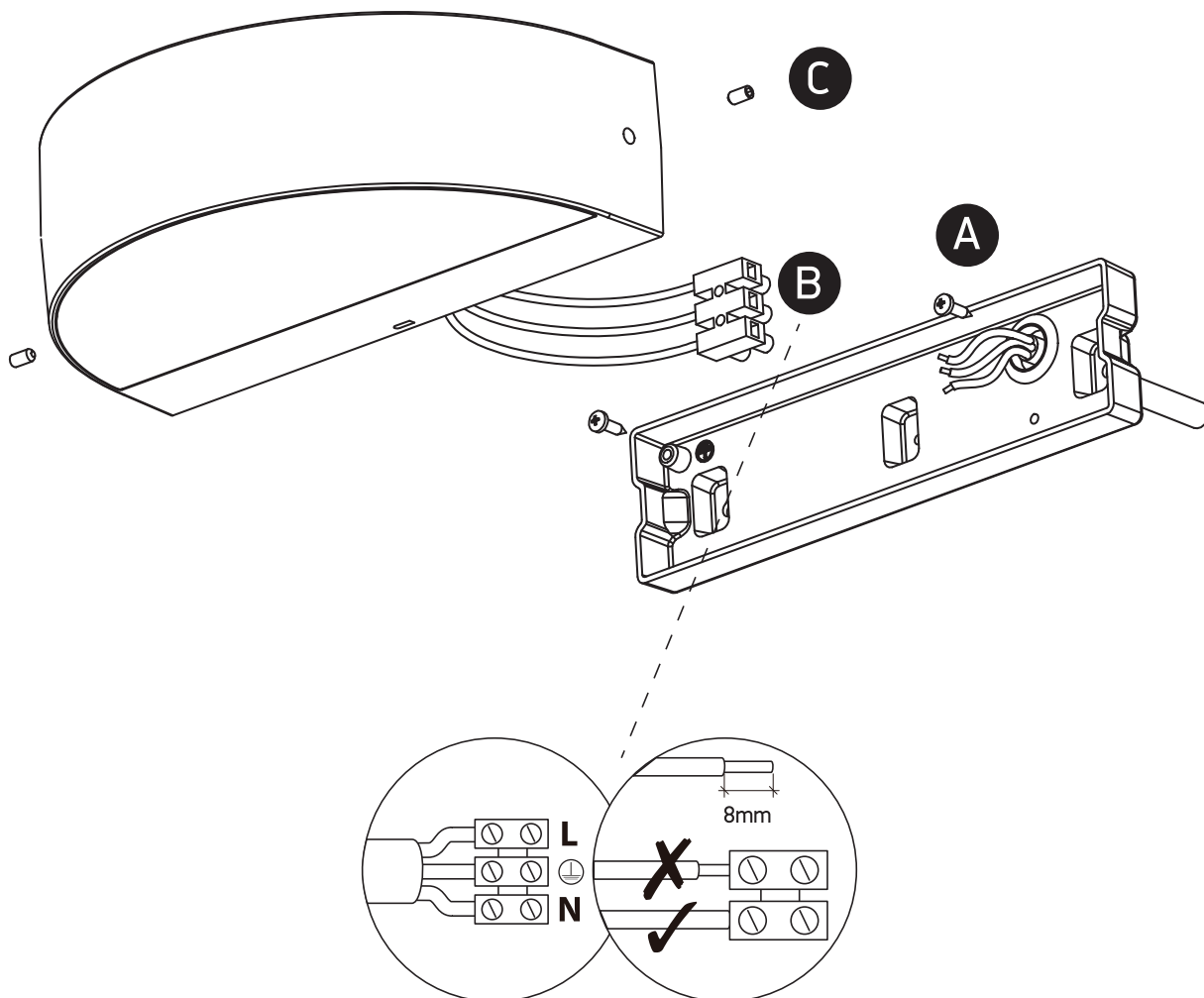
67362B

ecolight

Ra>80

one
LIGHT

230V | 9W | IP54 | Die cast

Complete with driver



Warnings:

1. Make sure that the product is installed properly before connecting to electricity.
2. Do not cover the fitting.
3. Maintenance and installation should only be carried out by a professional electrician.