

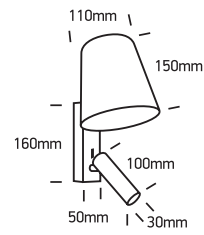
INSTALLATION MANUAL

65142

ecolight



ADJUSTABLE

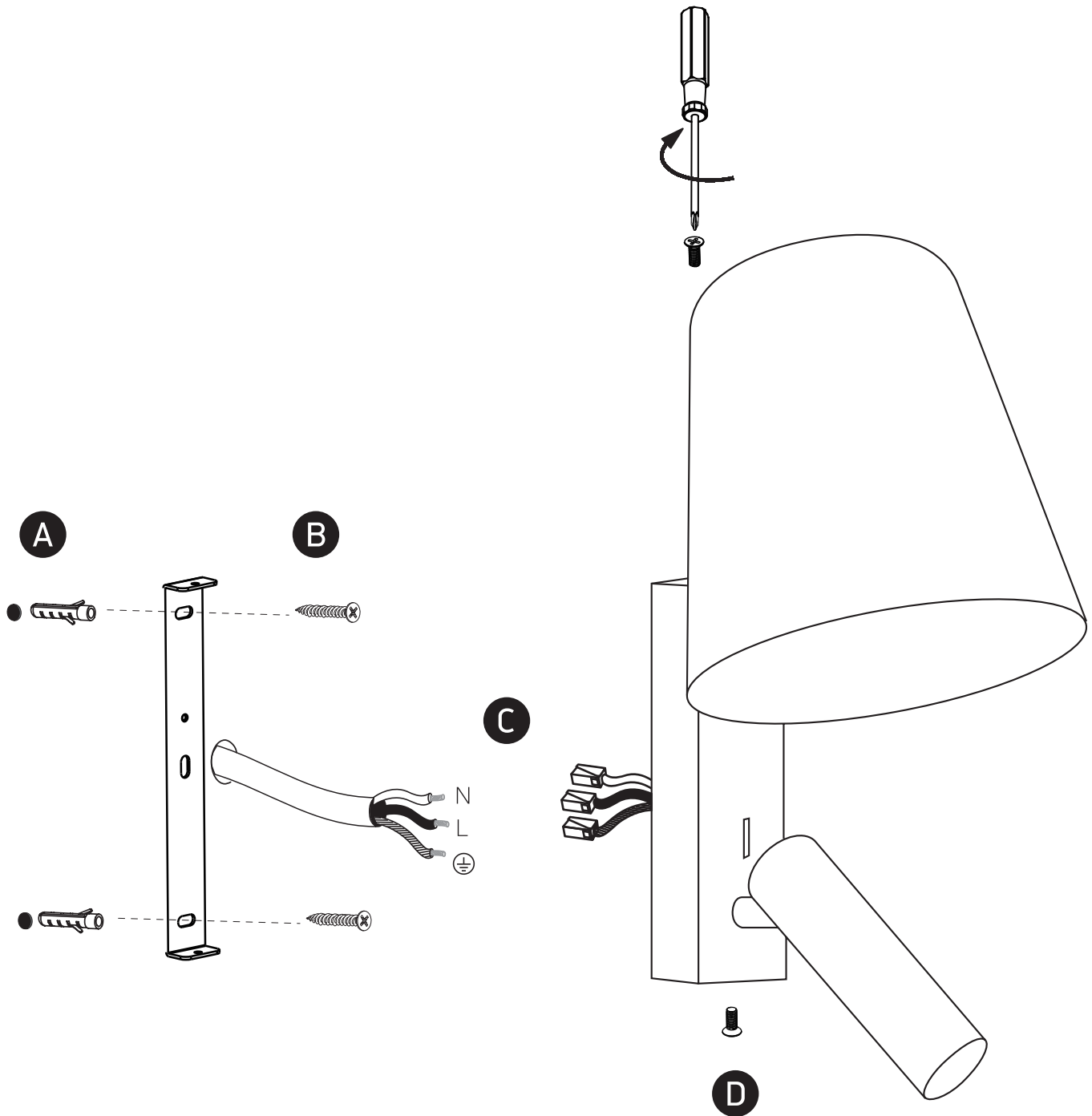


230V | 3W | IP20 | Aluminium | Adjustable

Complete with 700mA driver.

80
CRI

one
LIGHT



Warnings:

1. Make sure that the product is installed properly before connecting to electricity.
2. Do not cover the fitting.
3. Maintenance and installation should only be carried out by a professional electrician.