

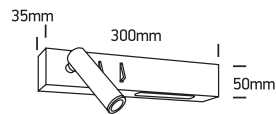
INSTALLATION MANUAL

65146

ecolight



ADJUSTABLE

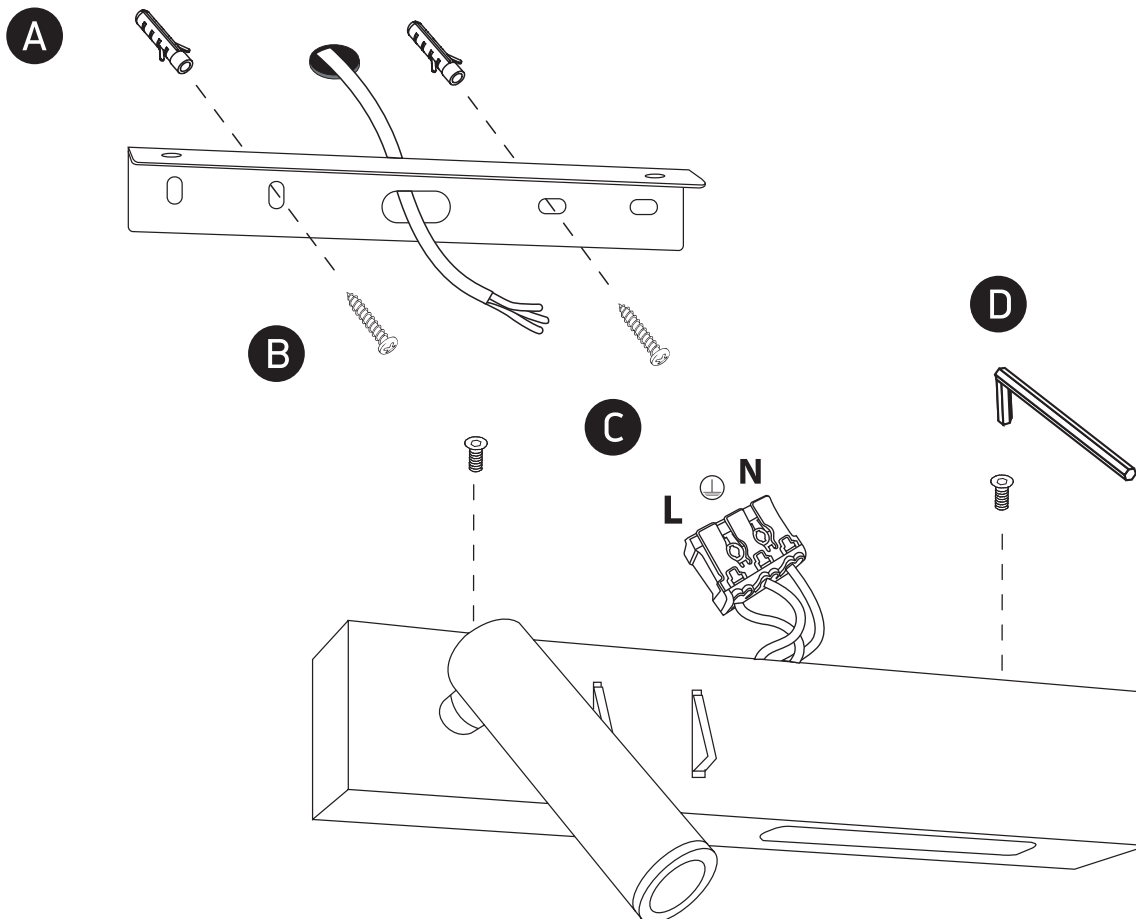
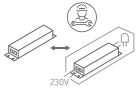


230V | 3W Reading Spot + 6W General lighting | IP20 | Metal + aluminium

Complete with 700mA + 500mA drivers / With 2 x ON/OFF Switches.

80
CRI

one
LIGHT



Warnings:

1. Make sure that the product is installed properly before connecting to electricity.
2. Do not cover the fitting.
3. Maintenance and installation should only be carried out by a professional electrician.