

INSTALLATION MANUAL

65168T

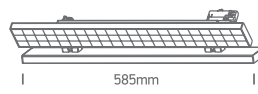
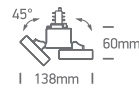
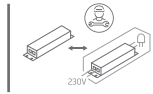
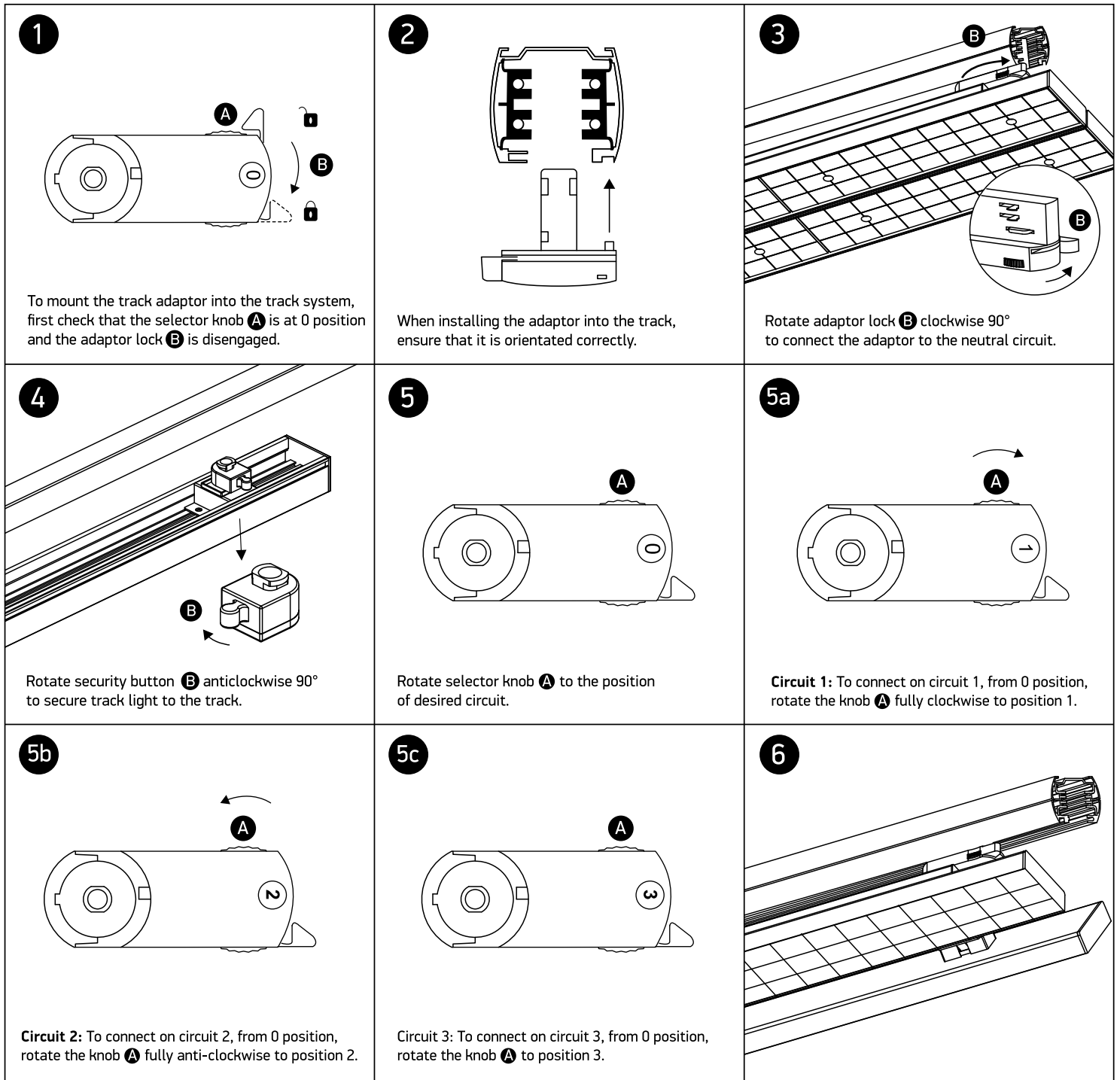
ecotracklight


ADJUSTABLE

80 CRI



50W | SMD 2835 | 230V | 50/60Hz | IP20 | Aluminium
Complete with 1400mA driver.


one
LIGHT


Warnings:

1. Make sure that the product is installed properly before connecting to electricity.
2. Do not cover the fitting.
3. Maintenance and installation should only be carried out by a professional electrician.