

# INSTALLATION MANUAL

65168T

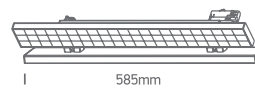
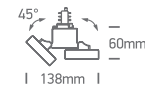
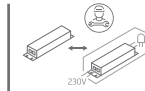
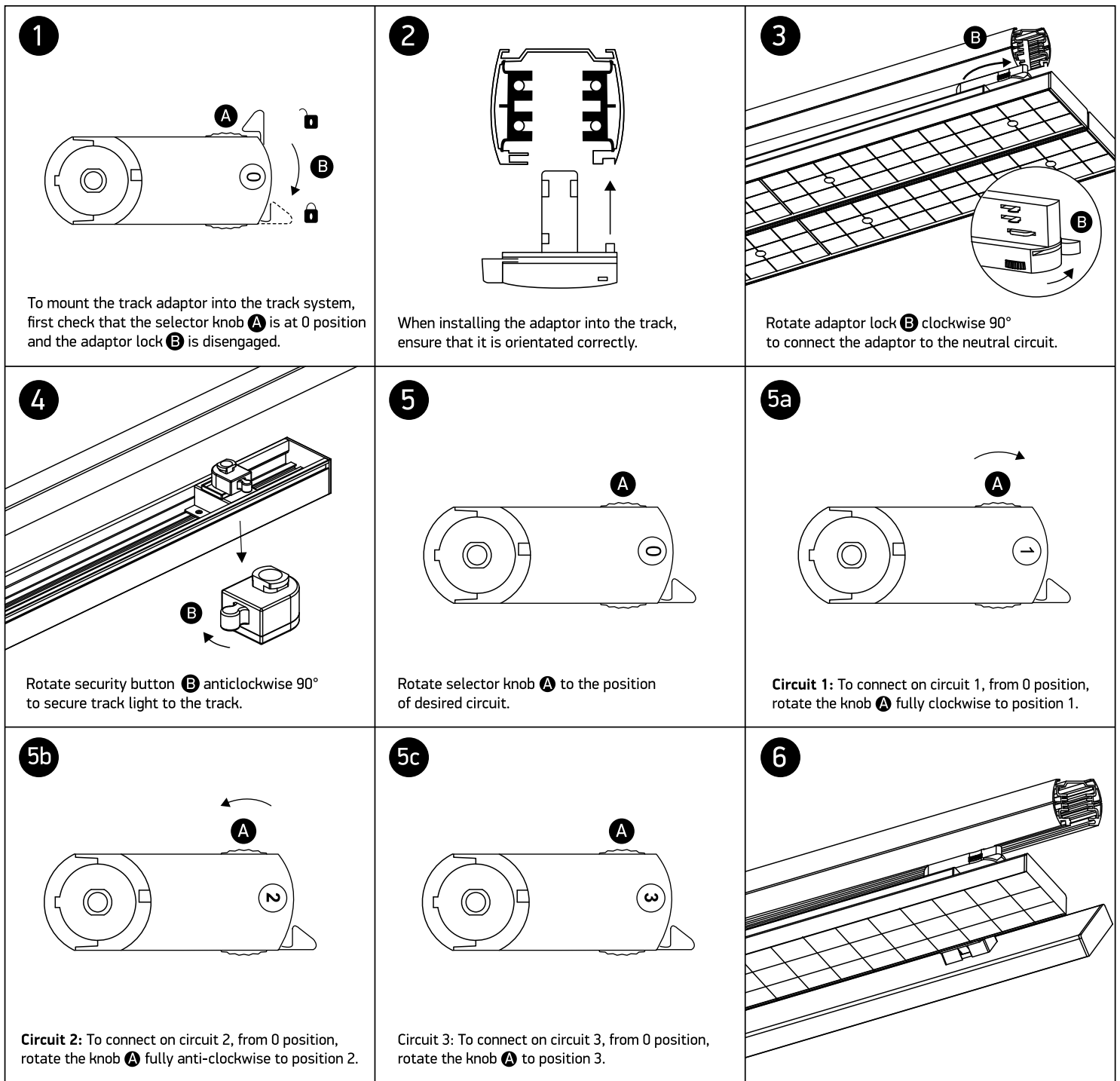
**ecotracklight**


ADJUSTABLE

80 CRI



50W | SMD 2835 | 230V | 50/60Hz | IP20 | Aluminium  
Complete with 1400mA driver.


**one**  
LIGHT


## Warnings:

1. Make sure that the product is installed properly before connecting to electricity.
2. Do not cover the fitting.
3. Maintenance and installation should only be carried out by a professional electrician.