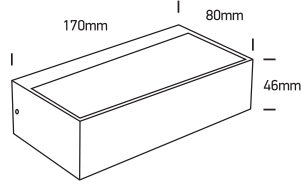
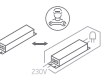
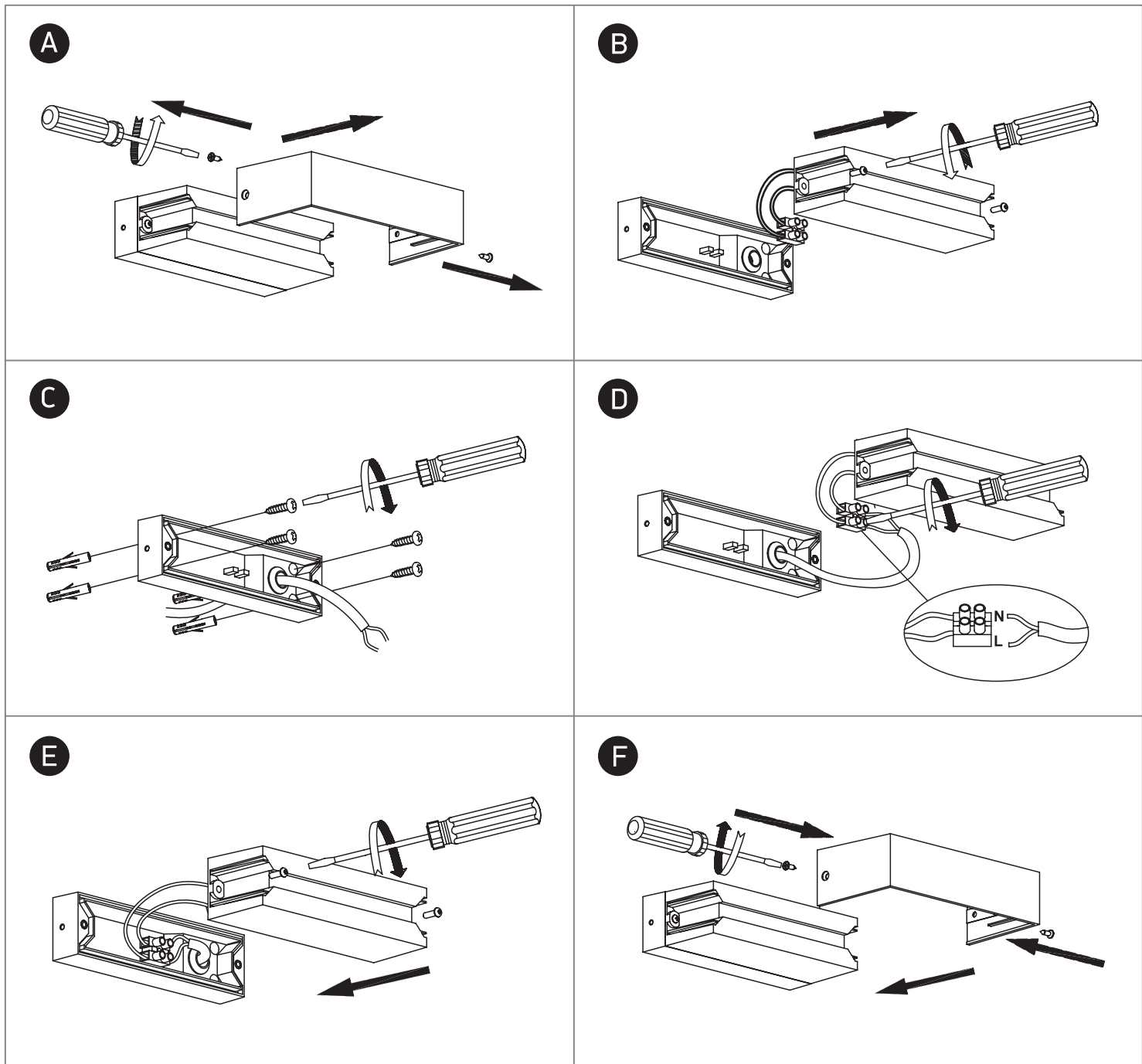


# INSTALLATION MANUAL

67392

**ecolight**


230V | SMD 2835 | 7W | IP65 | ABS + PC  
Complete with 500mA driver.


**one**  
LIGHT


## Warnings:

1. Make sure that the product is installed properly before connecting to electricity.
2. Do not cover the fitting.
3. Maintenance and installation should only be carried out by a professional electrician.