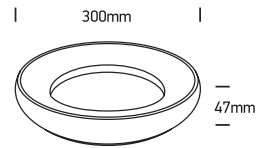


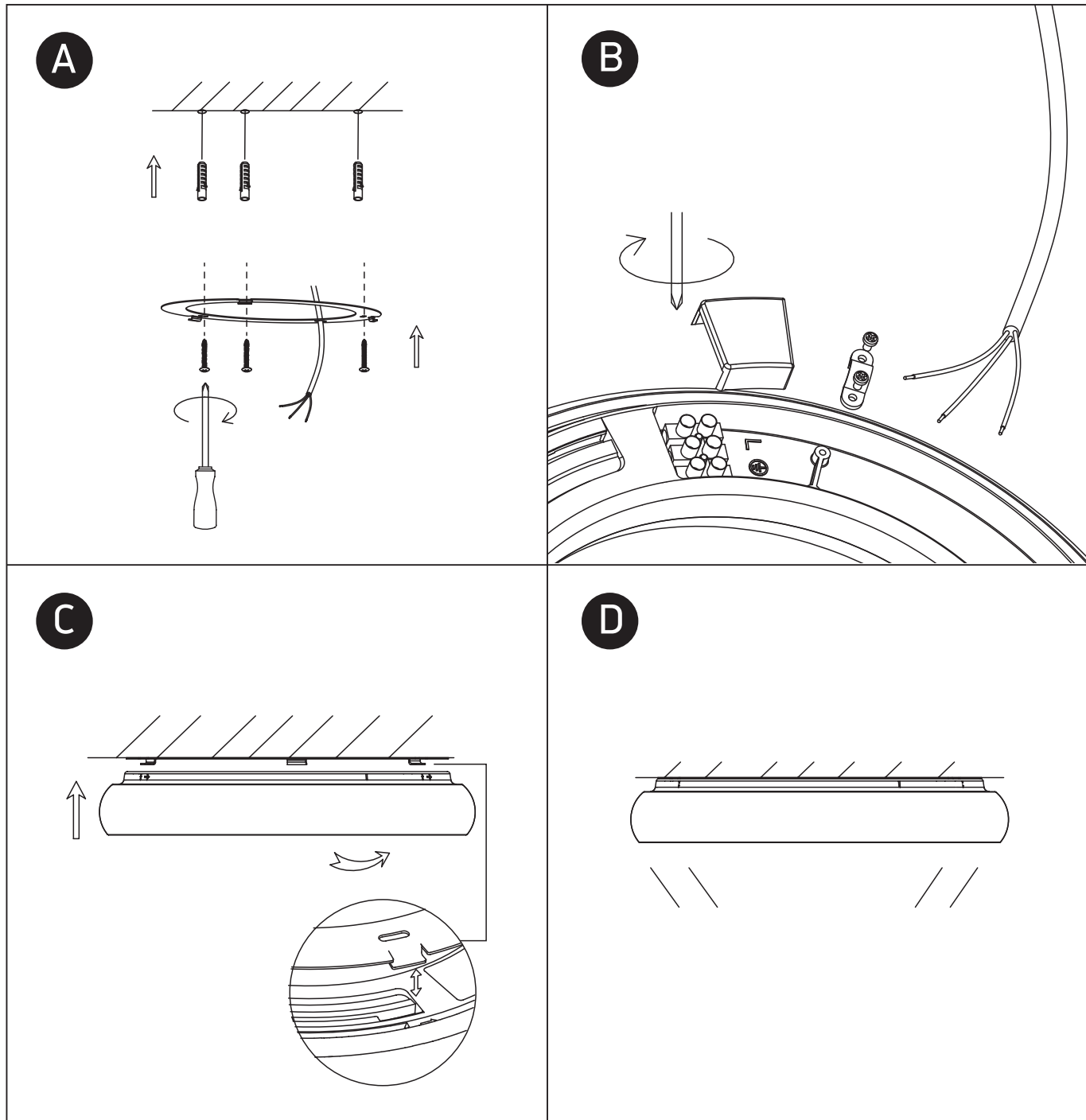
# INSTALLATION MANUAL

67402

**ecolight**

**one**  
LIGHT

100-240V | SMD 2835 | 25W | IP40 | Aluminium + PC

Complete with driver

80  
CRI

## Warnings:

1. Make sure that the product is installed properly before connecting to electricity.
2. Do not cover the fitting.
3. Maintenance and installation should only be carried out by a professional electrician.