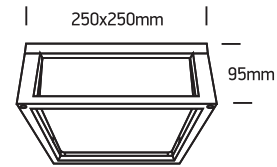


INSTALLATION MANUAL

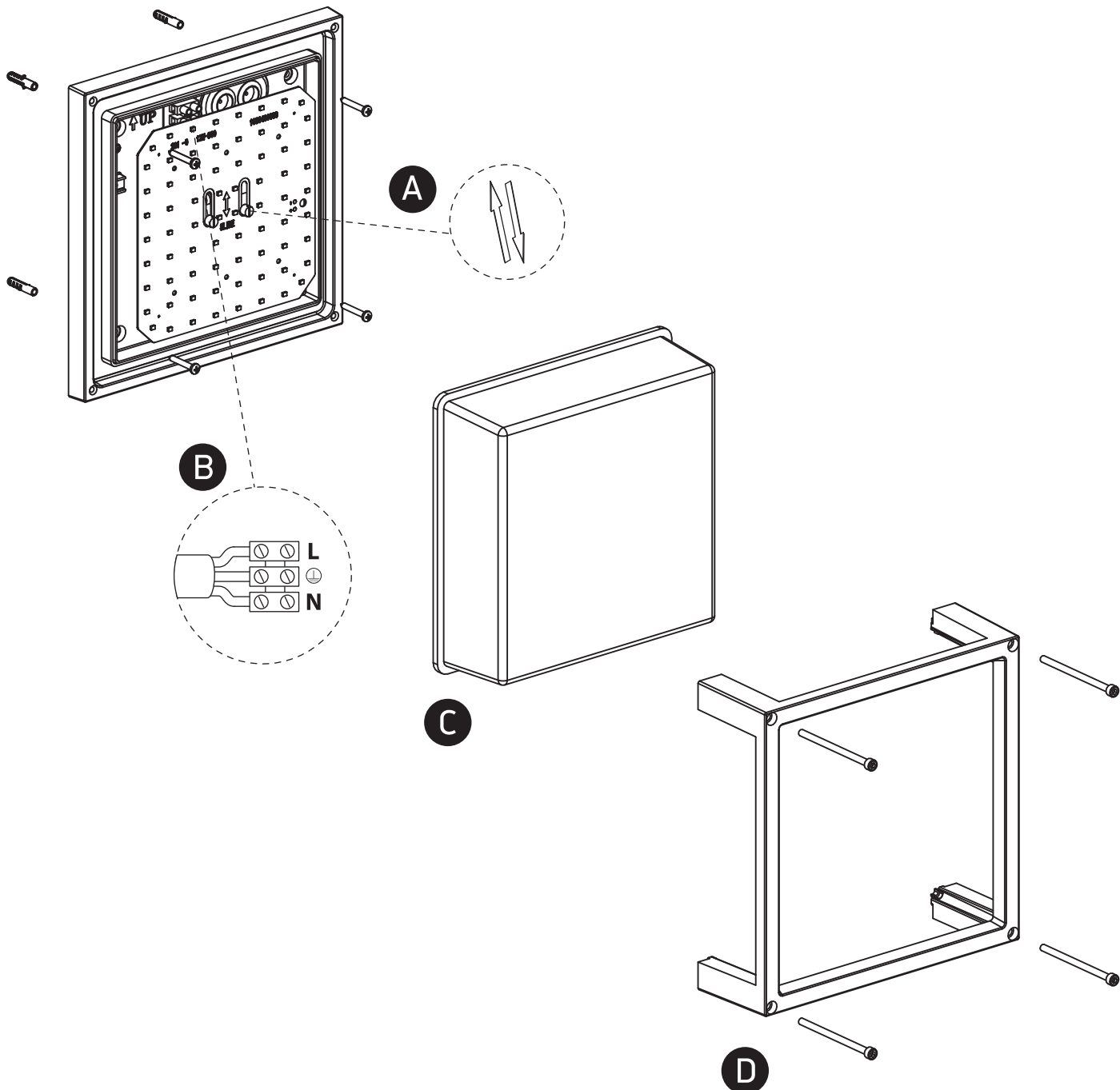
67420BL

ecolight



230V | SMD 2835 | 13W | IP54 | Die cast + frosted glass
Complete with driver.

80
CRI



Warnings:

1. Make sure that the product is installed properly before connecting to electricity.
2. Do not cover the fitting.
3. Maintenance and installation should only be carried out by a professional electrician.