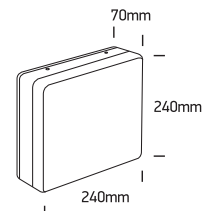


INSTALLATION MANUAL

67424B

ecolight

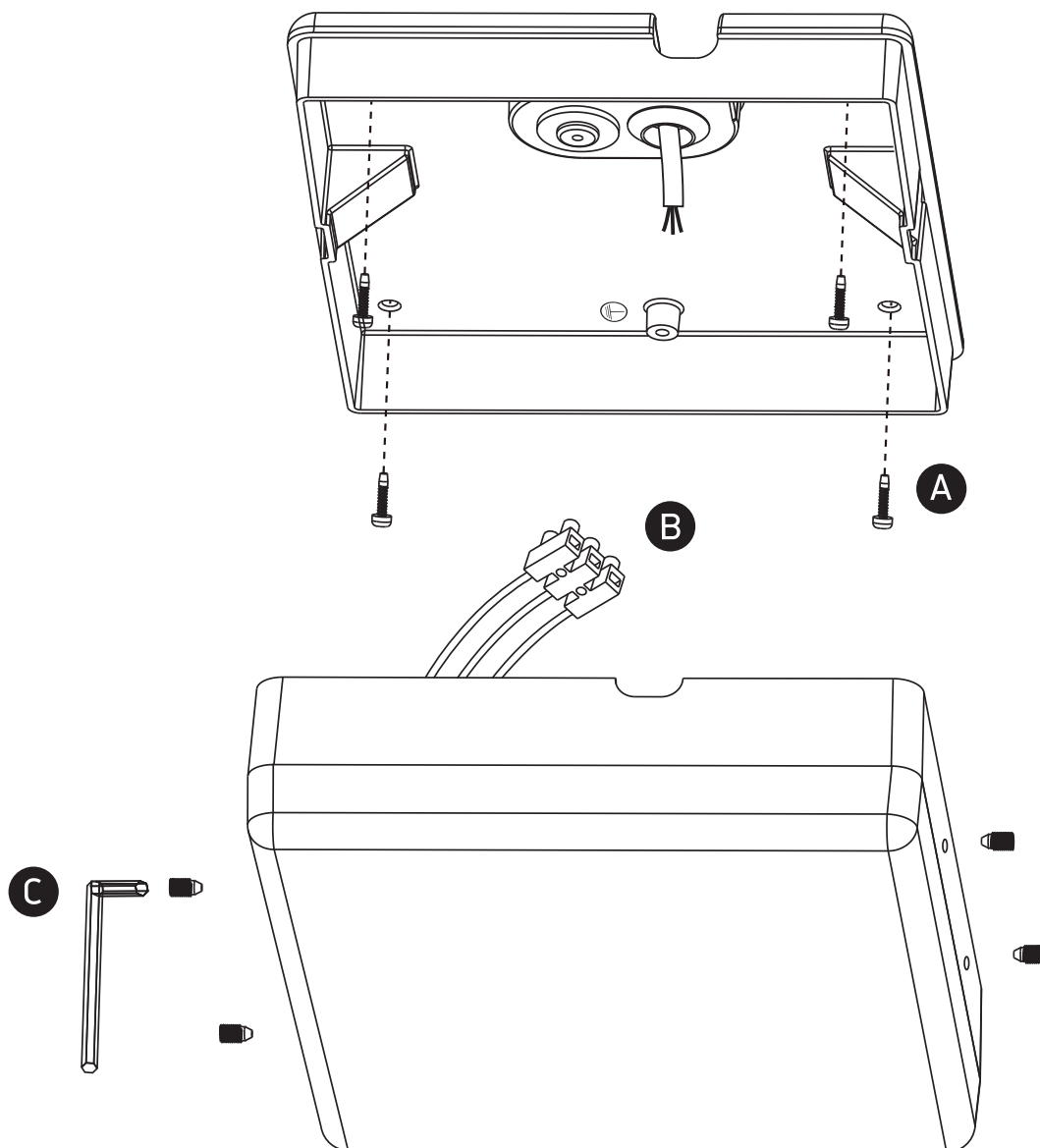


230V | SMD 3528 | 15W | IP54 | Die cast + PC

Complete with driver.

80
CRI

one
LIGHT



Warnings:

1. Make sure that the product is installed properly before connecting to electricity.
2. Do not cover the fitting.
3. Maintenance and installation should only be carried out by a professional electrician.