

# INSTALLATION MANUAL

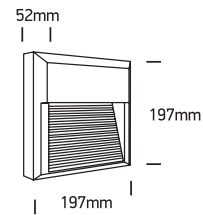
67430A

**ecolight**

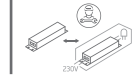


DARK  
LIGHT

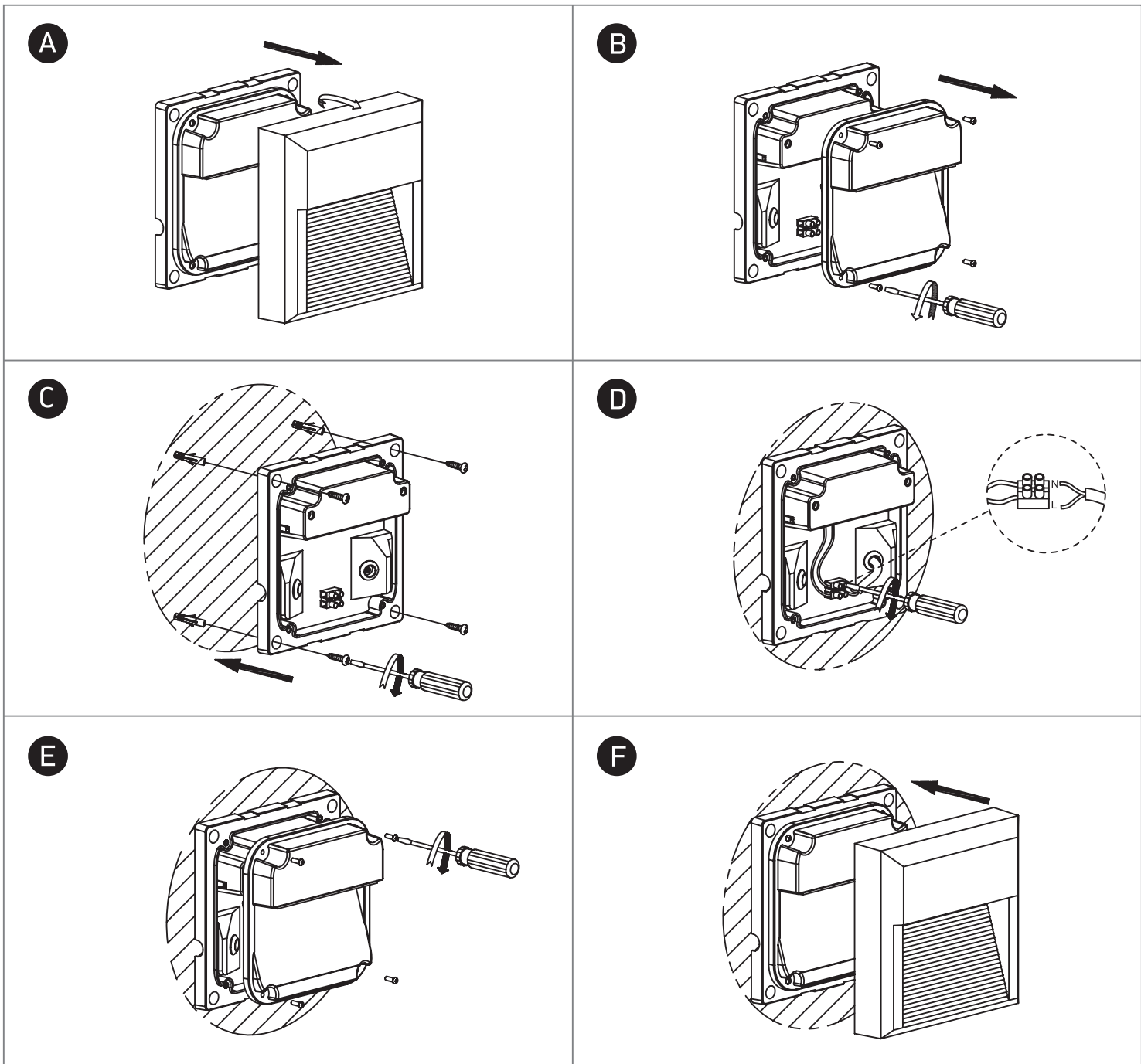
80  
CRI



230V | SMD 2835 | 8W | IP65 | ABS + PC  
Complete with 300mA driver.



**one**  
LIGHT



## Warnings:

1. Make sure that the product is installed properly before connecting to electricity.
2. Do not cover the fitting.
3. Maintenance and installation should only be carried out by a professional electrician.