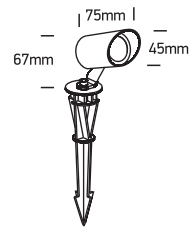


INSTALLATION MANUAL

67456

ecolight



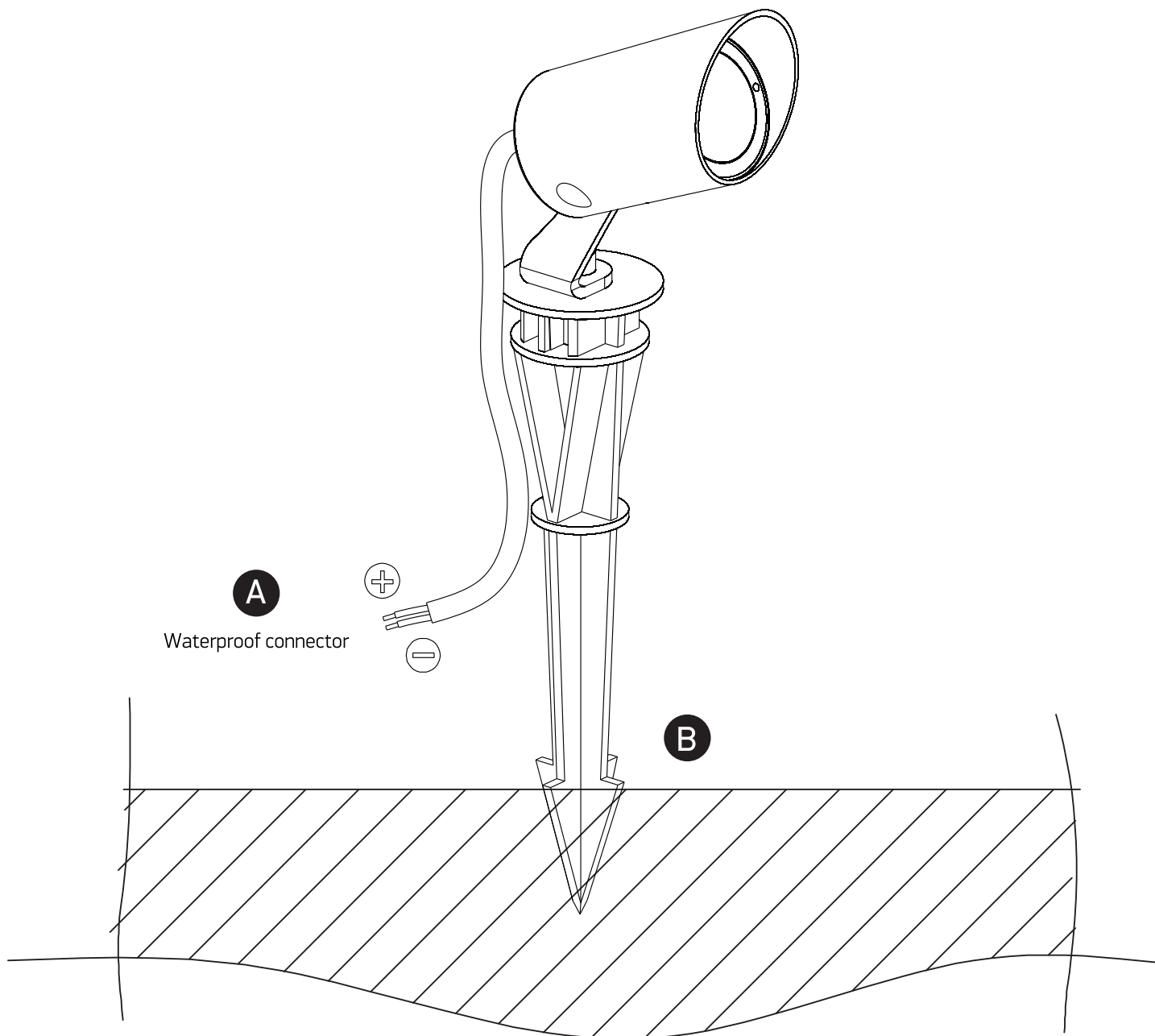
350mA | 3W | IP67 | Aluminium | Adjustable

Requires 350mA driver.
Supplied with spike.

90
CRI

200cm
S

one
LIGHT



Warnings:

1. Make sure that the product is installed properly before connecting to electricity.
2. Do not cover the fitting.
3. Maintenance and installation should only be carried out by a professional electrician.