

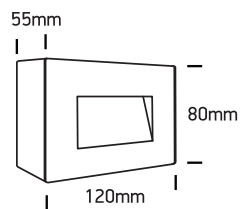
INSTALLATION MANUAL

67076

ecolight



DARK LIGHT

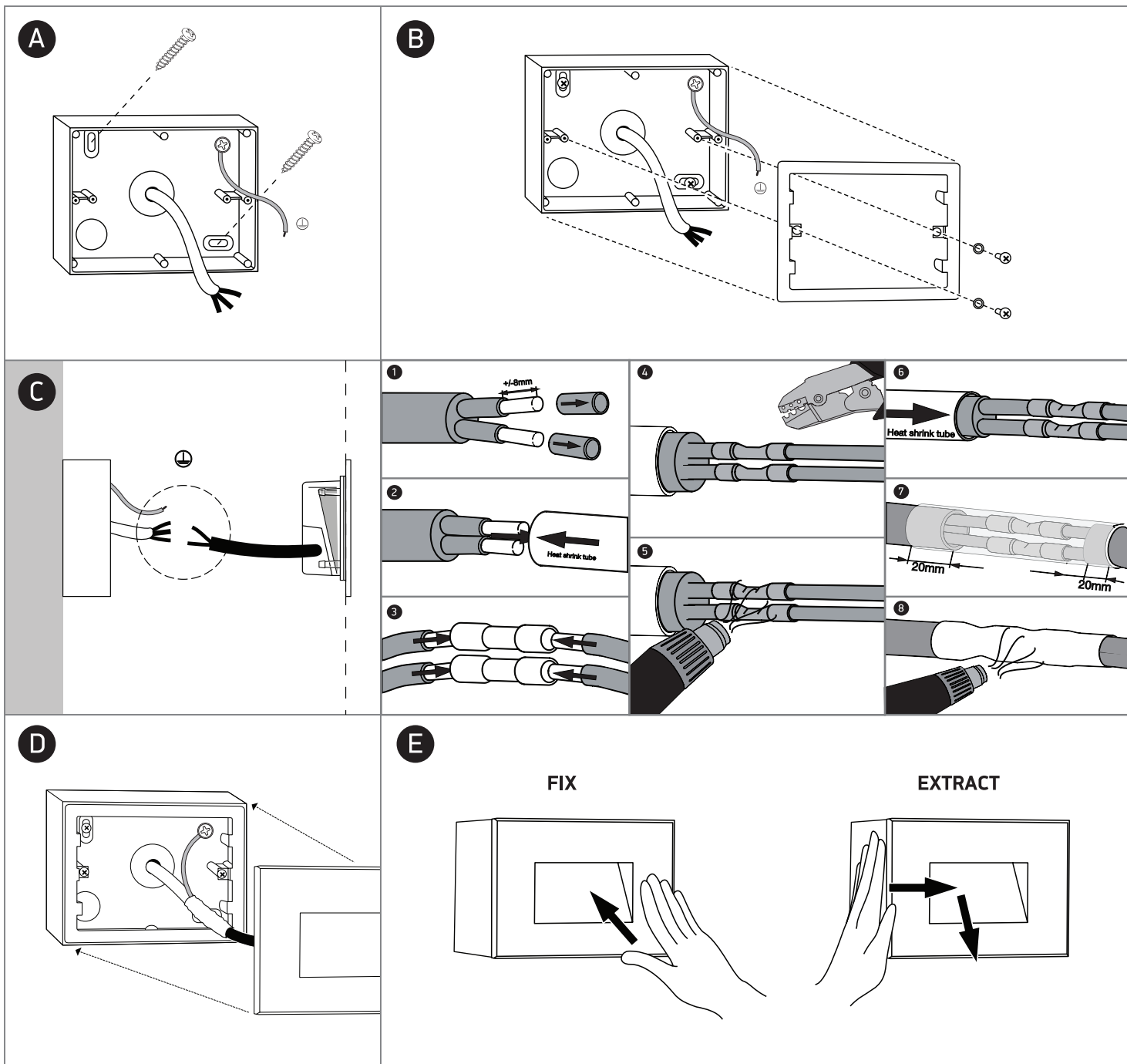


one
LIGHT

230V | SMD LED | 4W | IP65 | Glass + metal

AC LED.

80
CRI



Warnings:

1. Make sure that the product is installed properly before connecting to electricity.
2. Do not cover the fitting.
3. Maintenance and installation should only be carried out by a professional electrician.