

INSTALLATION MANUAL

67482

ecolight

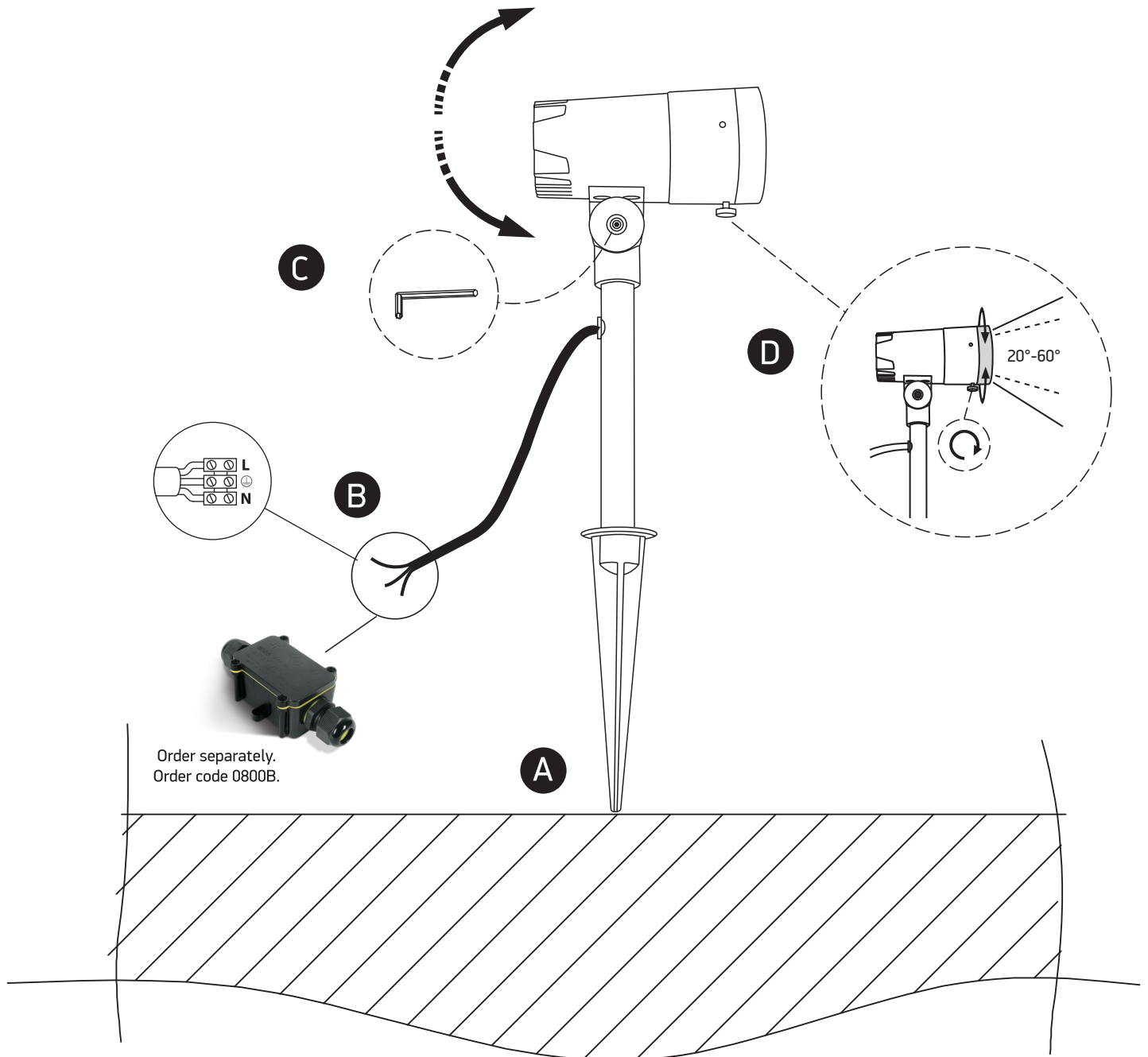
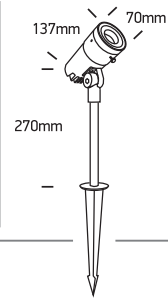


100-240V | COB LED | 11W | IP65 | Die cast

Supplied with spike.
Complete with 250mA driver.

80
CRI

150cm



Warnings:

1. Make sure that the product is installed properly before connecting to electricity.
2. Do not cover the fitting.
3. Maintenance and installation should only be carried out by a professional electrician.