

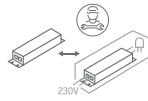
INSTALLATION MANUAL

67492

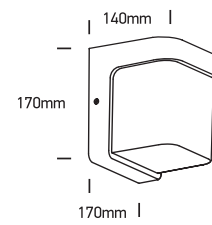
ecolight



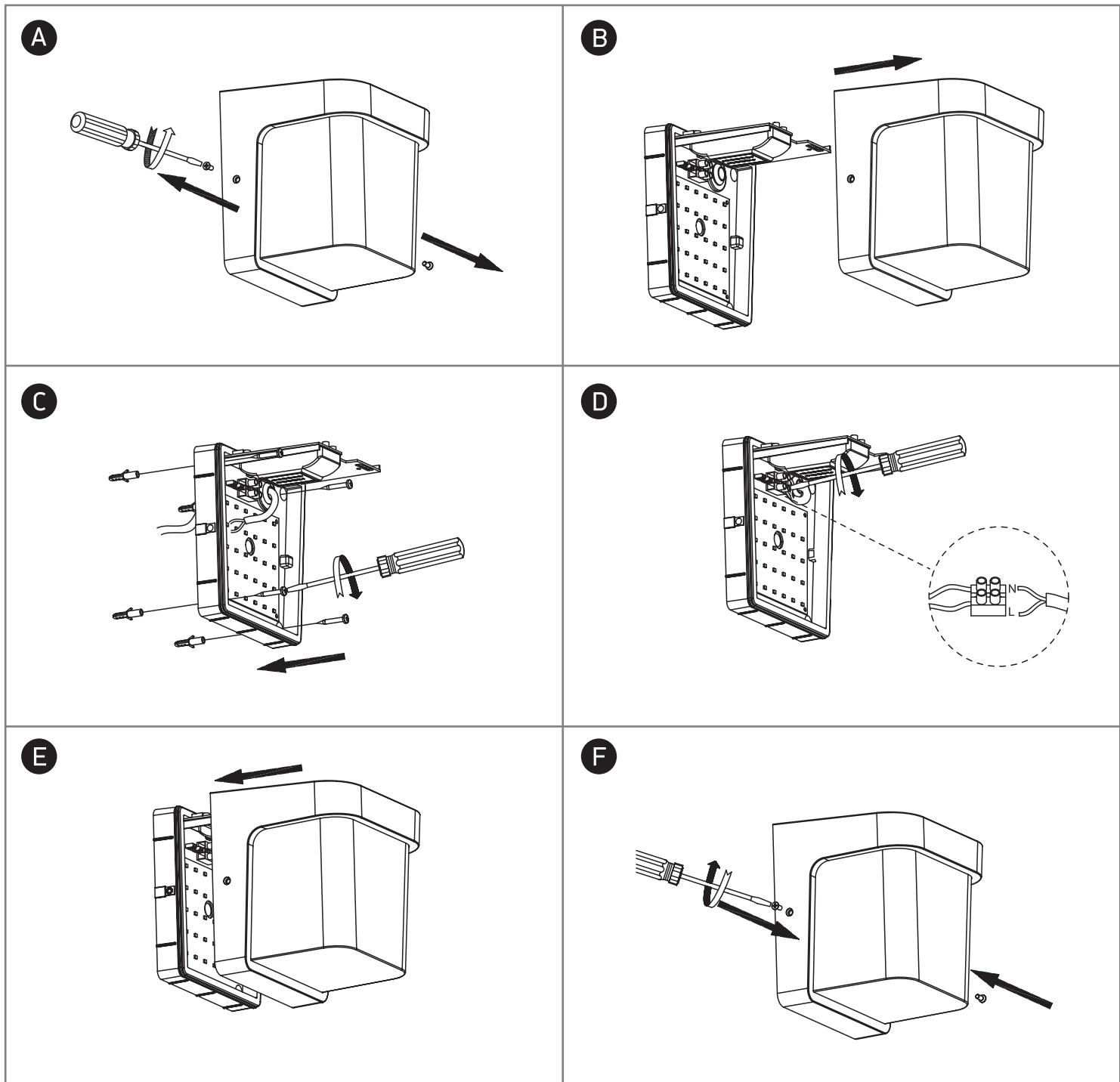
230V | SMD 2835 | 12W | IP54 | Plastic + PC
Complete with 300mA driver.



80
CRI



one
LIGHT



Warnings:

1. Make sure that the product is installed properly before connecting to electricity.
2. Do not cover the fitting.
3. Maintenance and installation should only be carried out by a professional electrician.