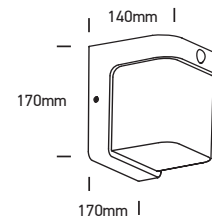


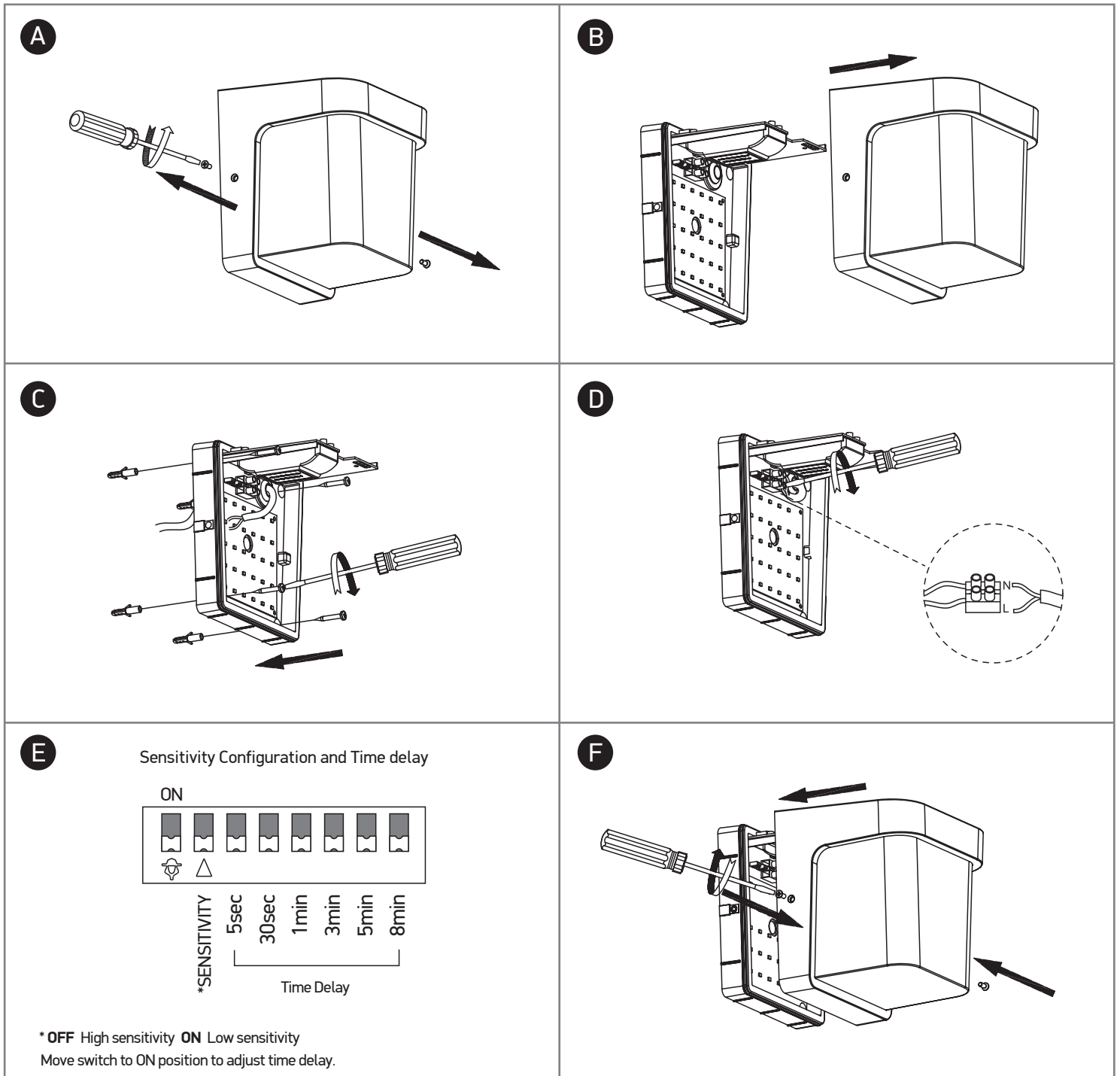
INSTALLATION MANUAL

67492P Sensor

ecolight

one
LIGHT

230V | SMD 2835 | 12W | IP54 | Sensor | Plastic + PC

Complete with 300mA driver.

80
CRI


Warnings:

1. Make sure that the product is installed properly before connecting to electricity.
2. Do not cover the fitting.
3. Maintenance and installation should only be carried out by a professional electrician.