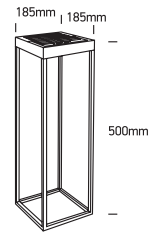


INSTALLATION MANUAL

67520A

ecolight



2,2W | SMD 2835 | IP65 | Solar powered | Night sensor | Die cast
USB charging / 2x2200mAh lithium battery.

80 CRI

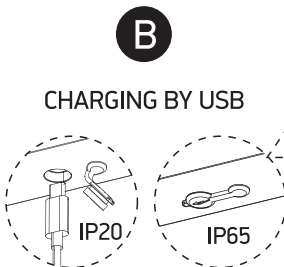
Night Sensor (ON/OFF)
Dimmer switch: 5-100%
Solar charging time: 20Hrs
USB charging time: 6Hrs

Working time:
9Hrs in 100% Light intensity
20Hrs in 50% Light intensity

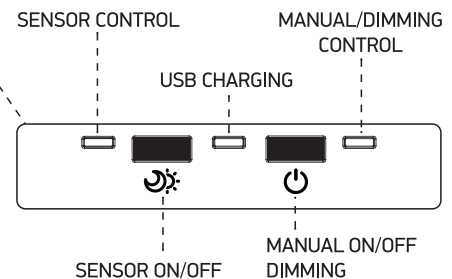
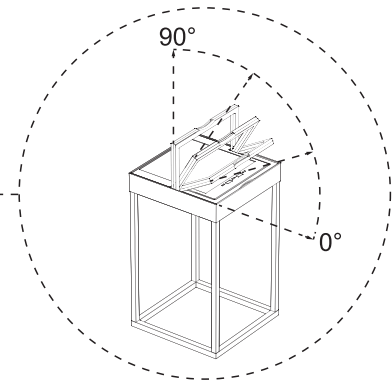
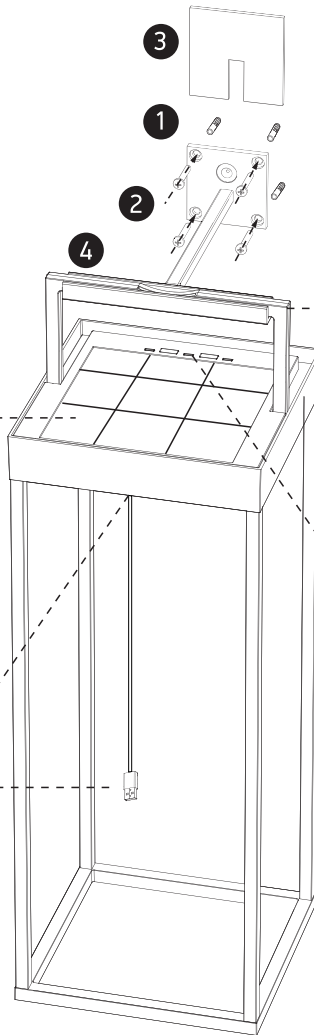
OPTIONAL WALL MOUNT BRACKET.
ORDER CODE 050250/B.



A
CHARGING BY SUN

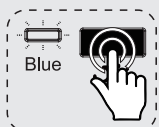


B
CHARGING BY USB



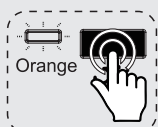
SENSOR ON/OFF

The indicator flashes blue, the sensor is activated.



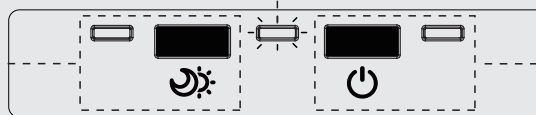
Short press to turn on the night sensor.

The indicator flashes orange, the sensor is deactivated.



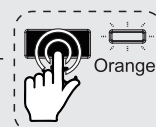
Short press to turn off the night sensor.

RED - USB IS CHARGING
GREEN - USB FULLY CHARGED.



MANUAL ON/OFF

The indicator flashes orange, "Manual ON/OFF" operation is responded.



Short press to turn ON or OFF manually.



"Manual ON/OFF" can only be operated when the sensor is deactivated.

Warnings:

1. Battery have the function of overcharge and discharge protection.
2. Please do not change anything of Solar panel or battery.
3. Please understand that the work time will be effected when sunshine is not enough (rainy ,cloudy or winter).
4. It needs to clean the surface of battery usually.