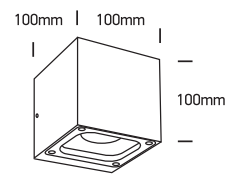


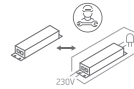
# INSTALLATION MANUAL

## 67524B

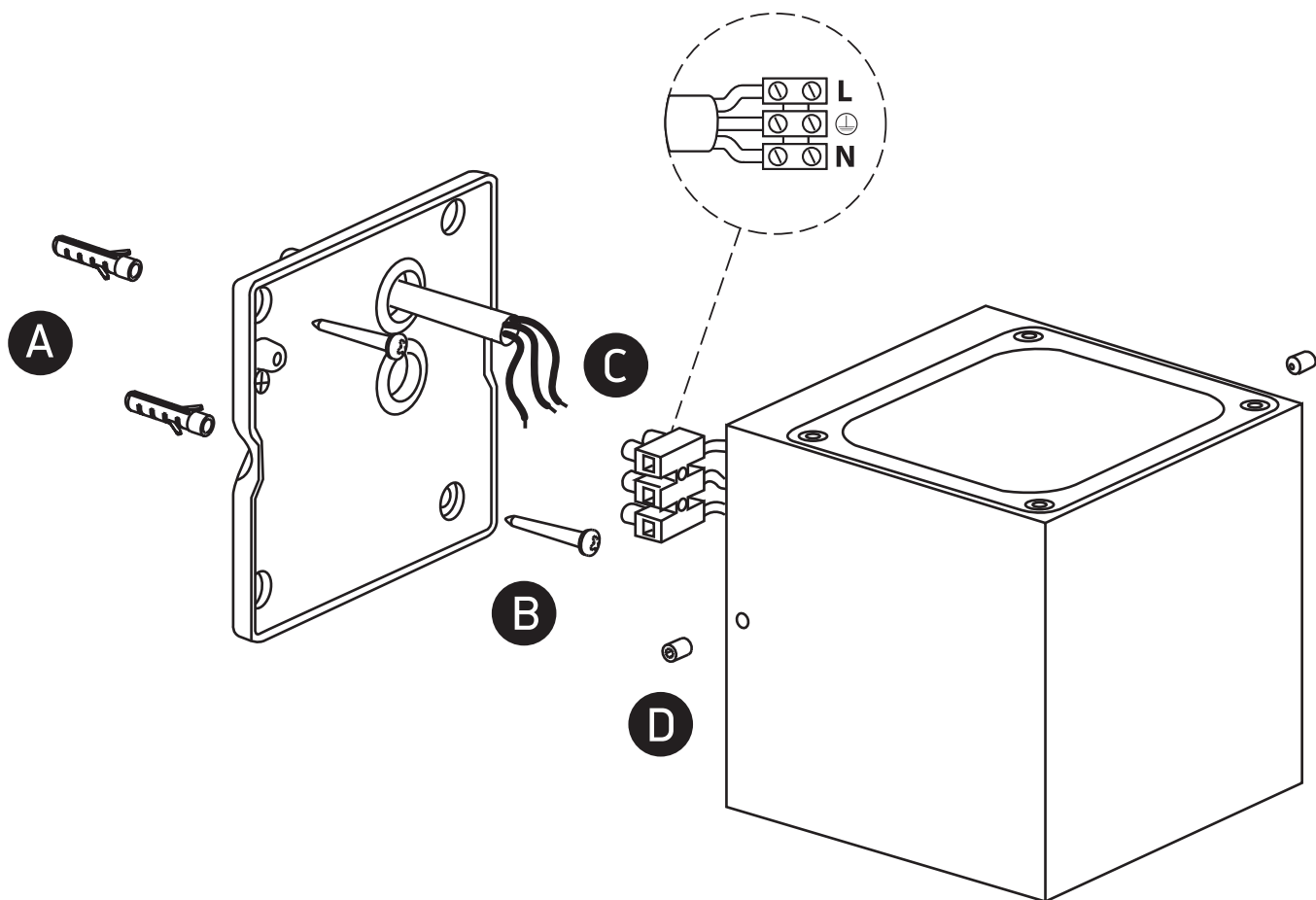
**ecolight**



230V | COB LED | 2x6W | IP65 | Die cast  
Complete with 500mA driver.



80 CRI



### Warnings:

1. Make sure that the product is installed properly before connecting to electricity.
2. Do not cover the fitting.
3. Maintenance and installation should only be carried out by a professional electrician.