

# INSTALLATION MANUAL

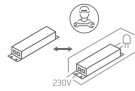
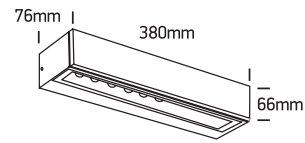
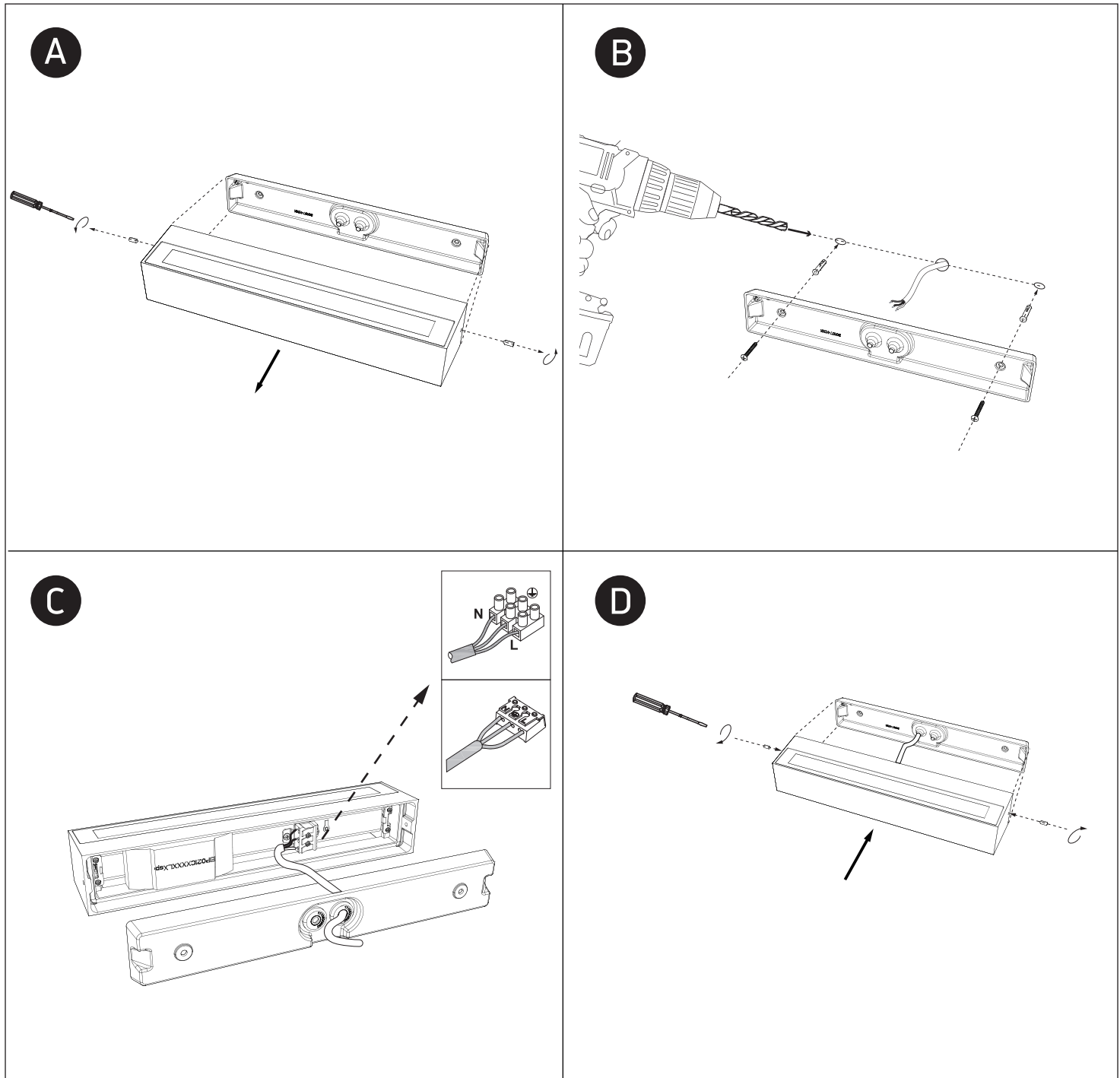
## 67526A2

**LED**  
BUILT IN

**CE**
**EAC**
**UK**  
**CA**
**RoHS**  
COMPLIANT


230V | SMD 3030 | 9W | IP65 | Die cast

Complete with 500mA driver.


**80**  
CRI

**one**  
LIGHT


### Warnings:

1. Make sure that the product is installed properly before connecting to electricity.
2. Do not cover the fitting.
3. Maintenance and installation should only be carried out by a professional electrician.