

# INSTALLATION MANUAL

## 67526B1

LED  
BUILT IN



CE EAC UK CA

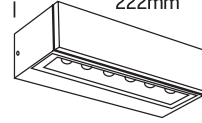
RoHS  
COMPLIANT



70mm

222mm

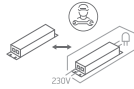
50mm



one  
LIGHT

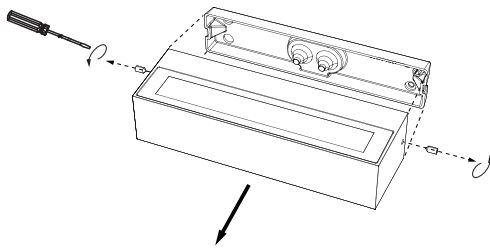
230V | SMD 3030 | 2x6W | IP65 | Die cast

Complete with 300mA driver.

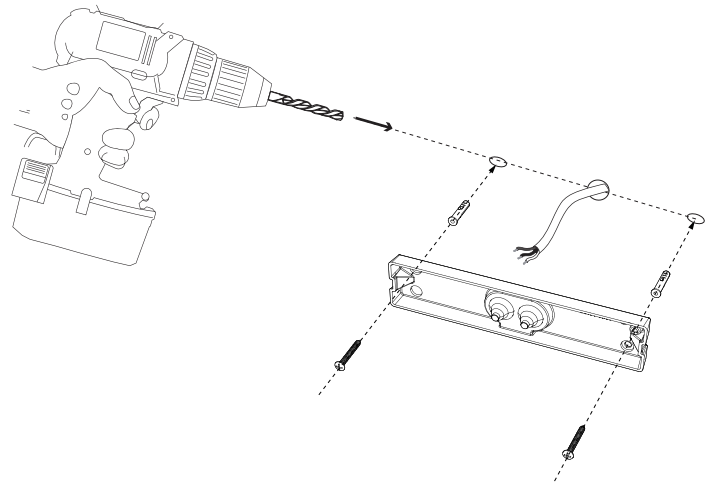


80  
CRI

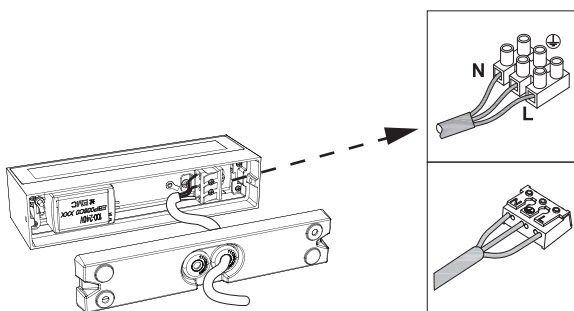
A



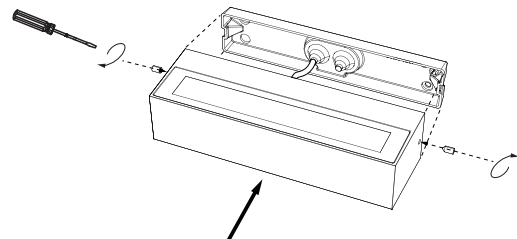
B



C



D



### Warnings:

1. Make sure that the product is installed properly before connecting to electricity.
2. Do not cover the fitting.
3. Maintenance and installation should only be carried out by a professional electrician.