

INSTALLATION MANUAL

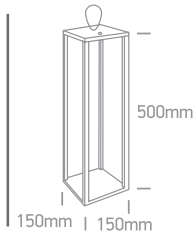
67530B



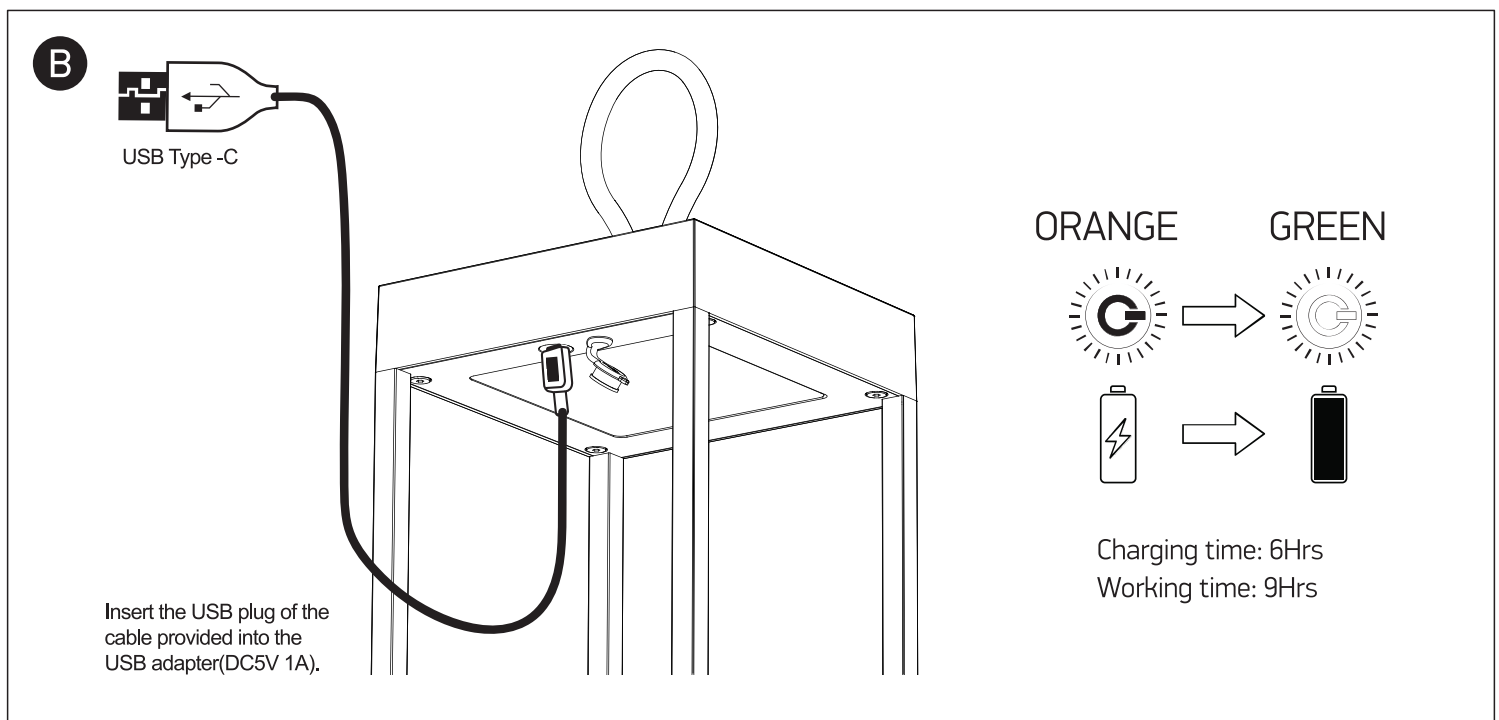
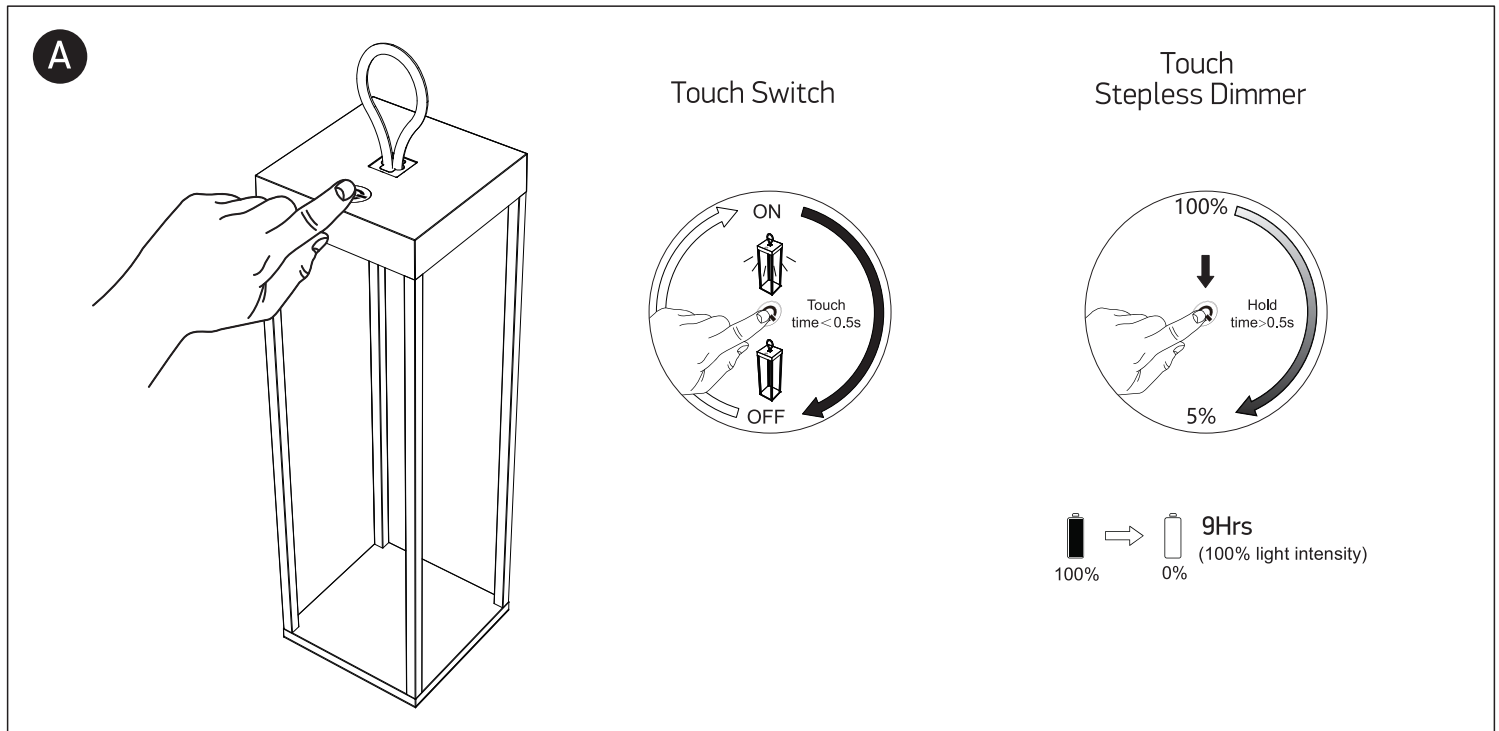
2,2W | IP65 | SMD 2835 | CCT adjustable | Touch switch | Dimmable | Die cast

Rechargeable USB socket.
1x4400mAh lithium battery

80
CRI



one
LIGHT



Warnings:

1. Do not cover the fitting.
2. The batteries should not be opened, destroyed or incinerate.
3. Do not short circuit terminals, or over charge the battery, forced over-discharge, throw to fire.
4. Do not crush or puncture the battery, or immerse in liquids.