

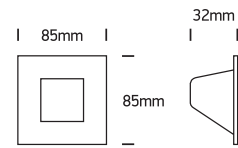
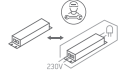
INSTALLATION MANUAL

68006N

ecolight

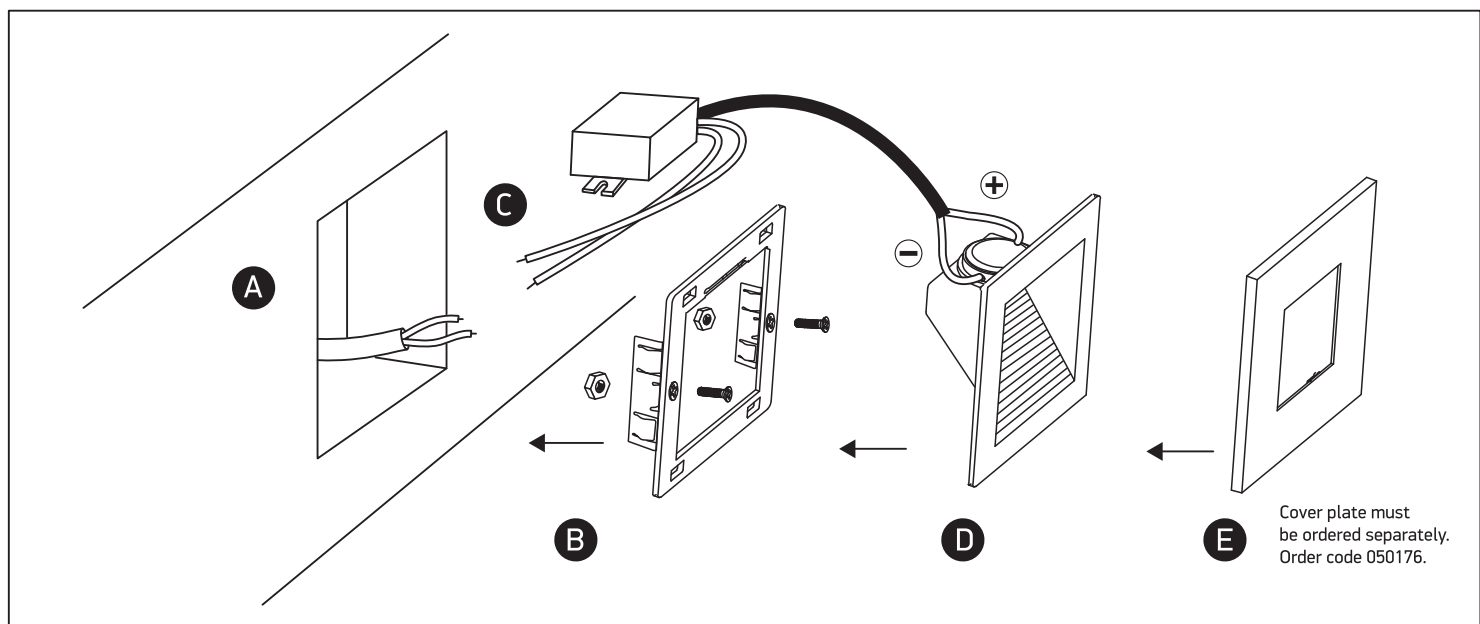


230V | SMD 3535 | 1W | IP44 | Die cast
Complete with 350mA driver.

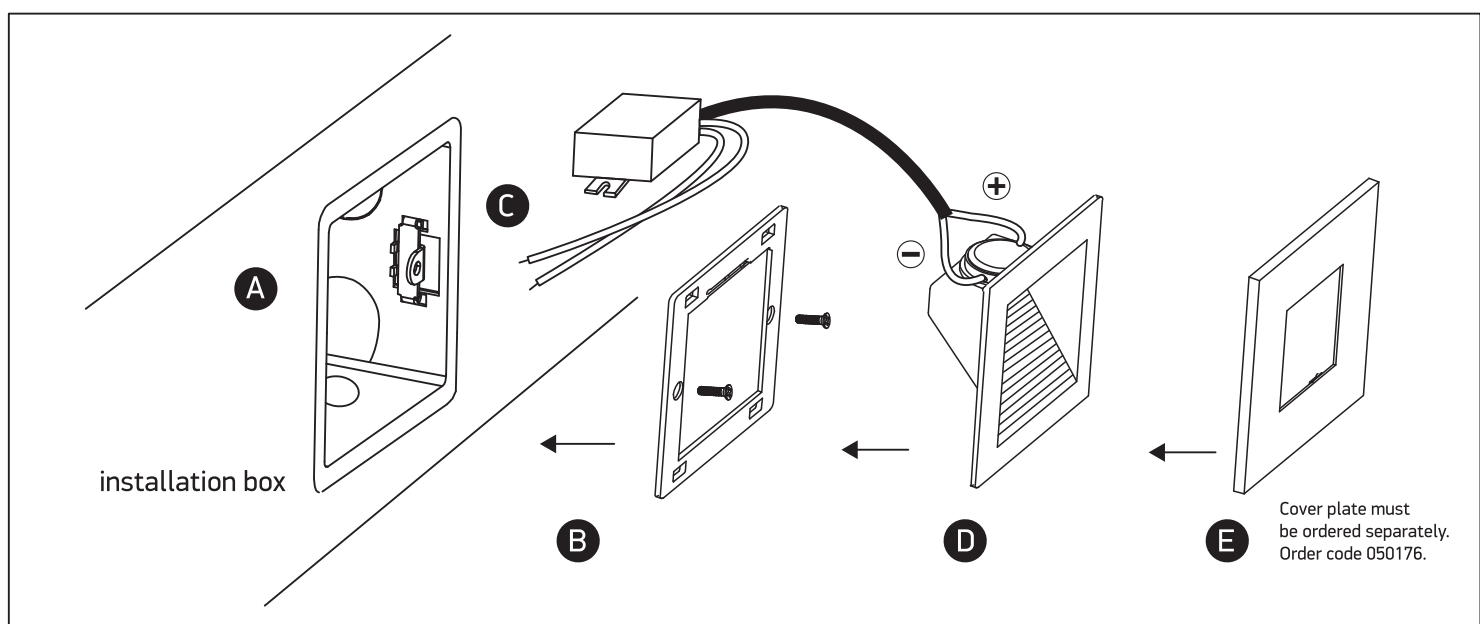


one
LIGHT

GYPSUM INSTALLATION



USING BOX INSTALLATION



Warnings:

1. Make sure that the product is installed properly before connecting to electricity.
2. Do not cover the fitting.
3. Maintenance and installation should only be carried out by a professional electrician.