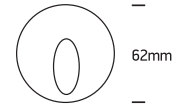


INSTALLATION MANUAL

68030

ecolight

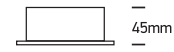
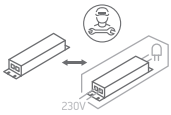
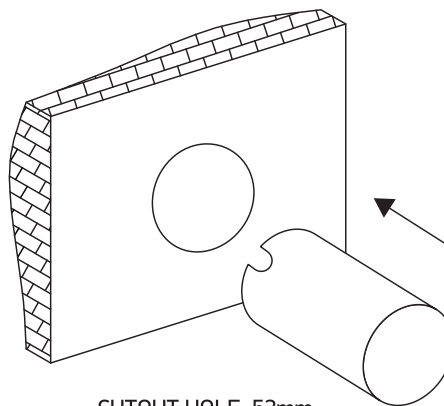
 DARK
LIGHT


100-240V | 3W | IP54 | Recessed

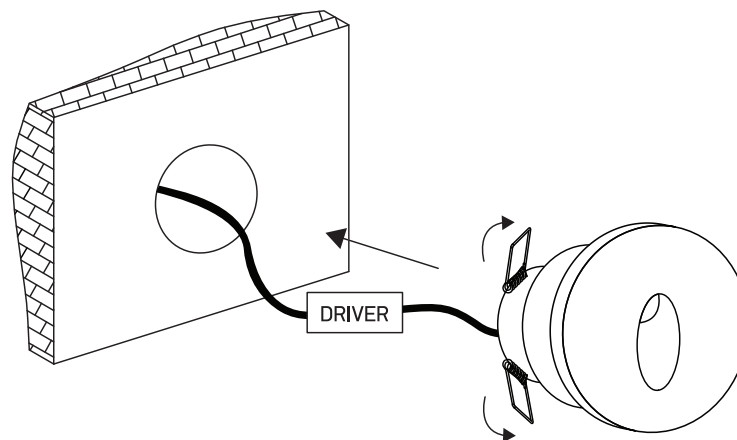
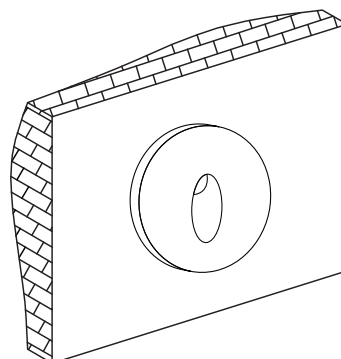
 Complete with 700mA driver.
Supplied with box for concrete
installation.


Concrete installation

Gypsum installation


one
LIGHT

A


CUTOUT HOLE: 52mm

B

C


Warnings:

1. Make sure that the product is installed properly before connecting to electricity.
2. Do not cover the fitting.
3. Maintenance and installation should only be carried out by a professional electrician.