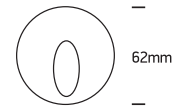


# INSTALLATION MANUAL

68030

**ecolight**

 DARK  
LIGHT


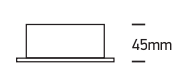
62mm

100-240V | 3W | IP54 | Recessed

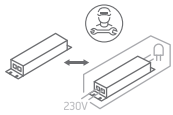
 Complete with 700mA driver.  
Supplied with box for concrete  
installation.


Concrete installation

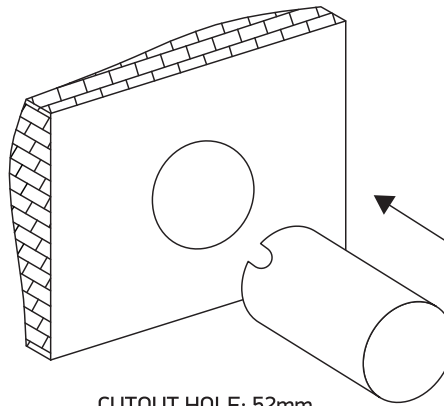
Gypsum installation



45mm

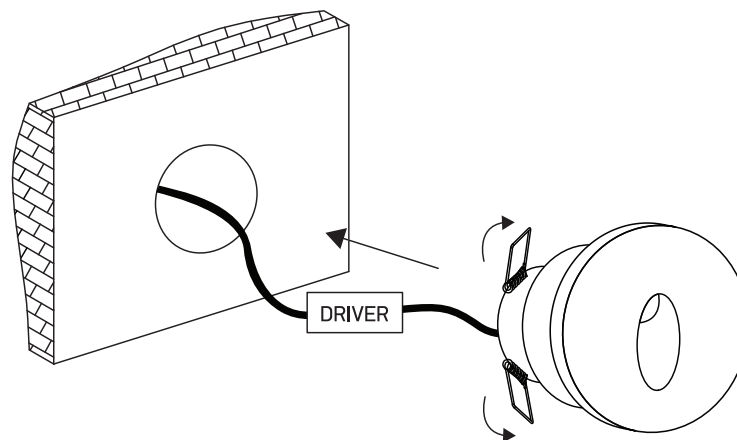
**one**  
LIGHT


A

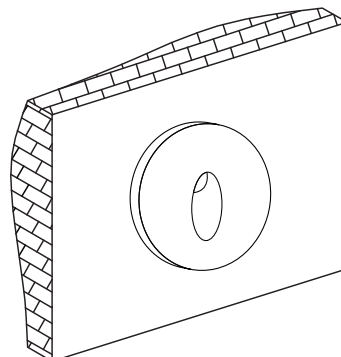


CUTOUT HOLE: 52mm

B



C



## Warnings:

1. Make sure that the product is installed properly before connecting to electricity.
2. Do not cover the fitting.
3. Maintenance and installation should only be carried out by a professional electrician.