

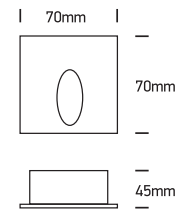
# INSTALLATION MANUAL

68032

**ecolight**



← DARK LIGHT

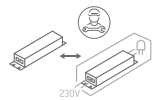


100-240V | 3W | IP54 | Die cast | Recessed

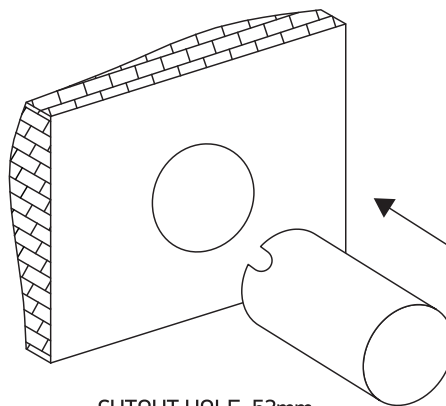
Complete with driver.  
Supplied with box for  
concrete installation.



Concrete installation Gypsum installation

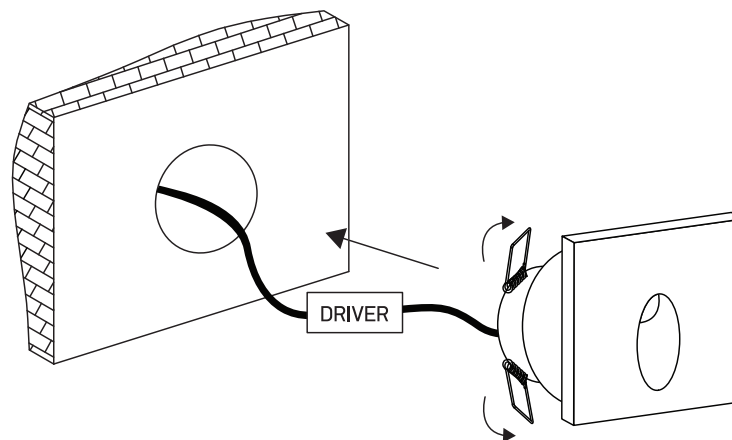


**A**

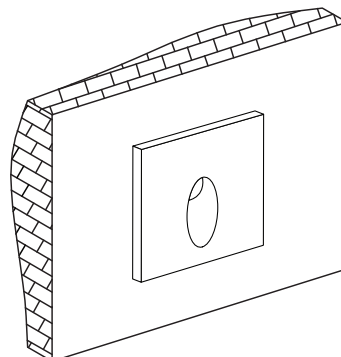


CUTOUT HOLE: 52mm

**B**



**C**



## Warnings:

1. Make sure that the product is installed properly before connecting to electricity.
2. Do not cover the fitting.
3. Maintenance and installation should only be carried out by a professional electrician.