

# INSTALLATION MANUAL

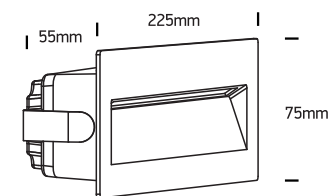
68068C

**ecolight**



← DARK LIGHT

80 CRI

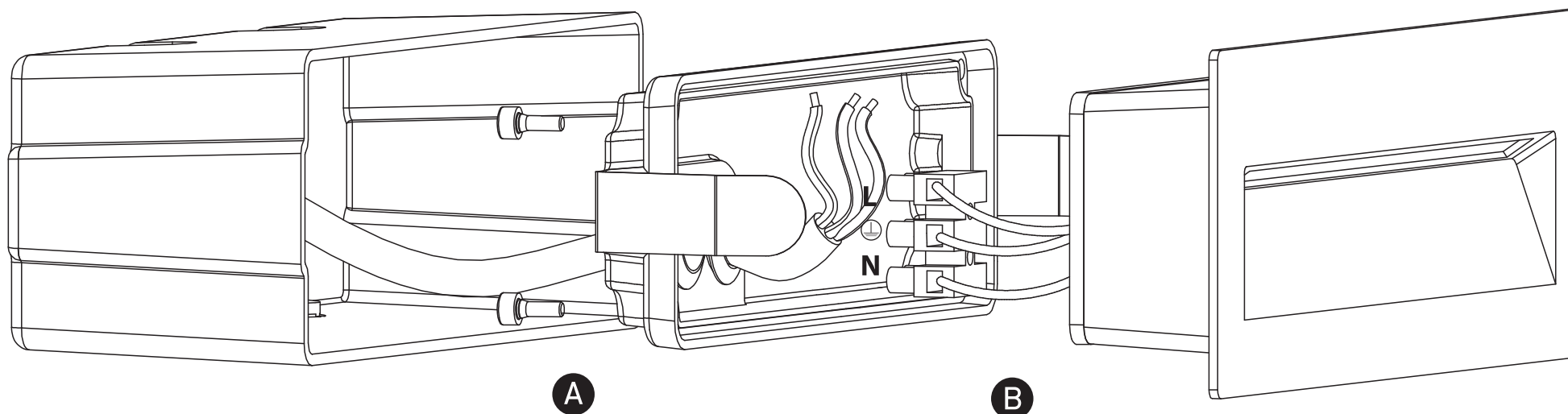
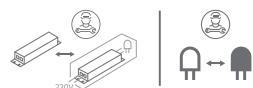


100-240V | SMD 2835 | 7W | IP65 | Die cast

Complete with 350mA driver.  
Supplied with box for concrete installation.



**one**  
LIGHT



## Warnings:

1. Make sure that the product is installed properly before connecting to electricity.
2. Do not cover the fitting.
3. Maintenance and installation should only be carried out by a professional electrician.