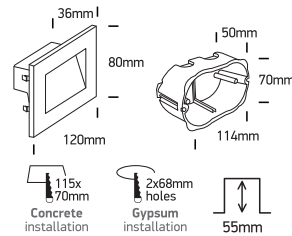


# INSTALLATION MANUAL

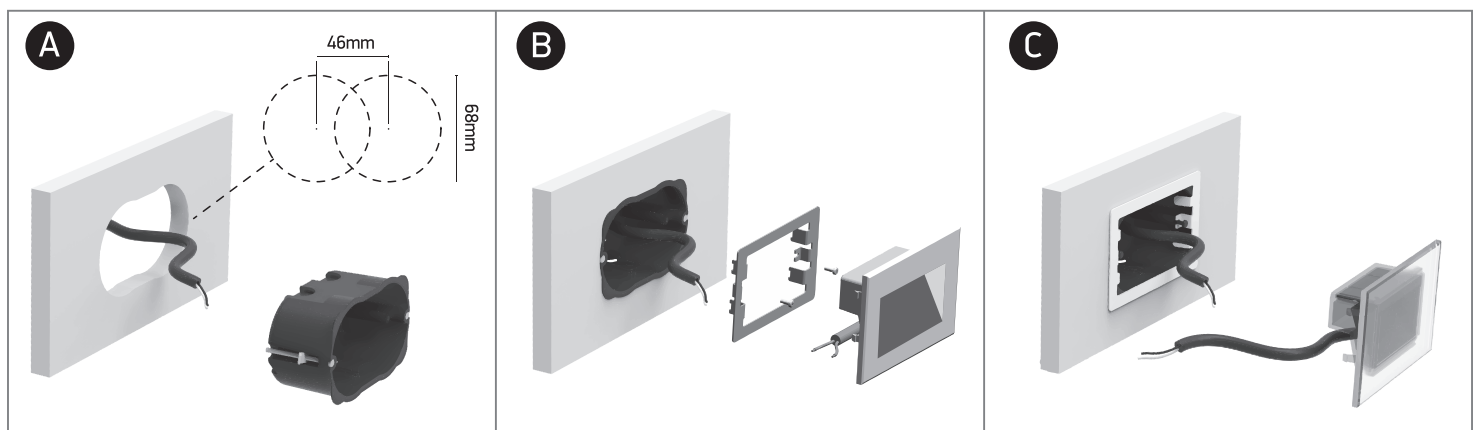
68076

**ecolight**


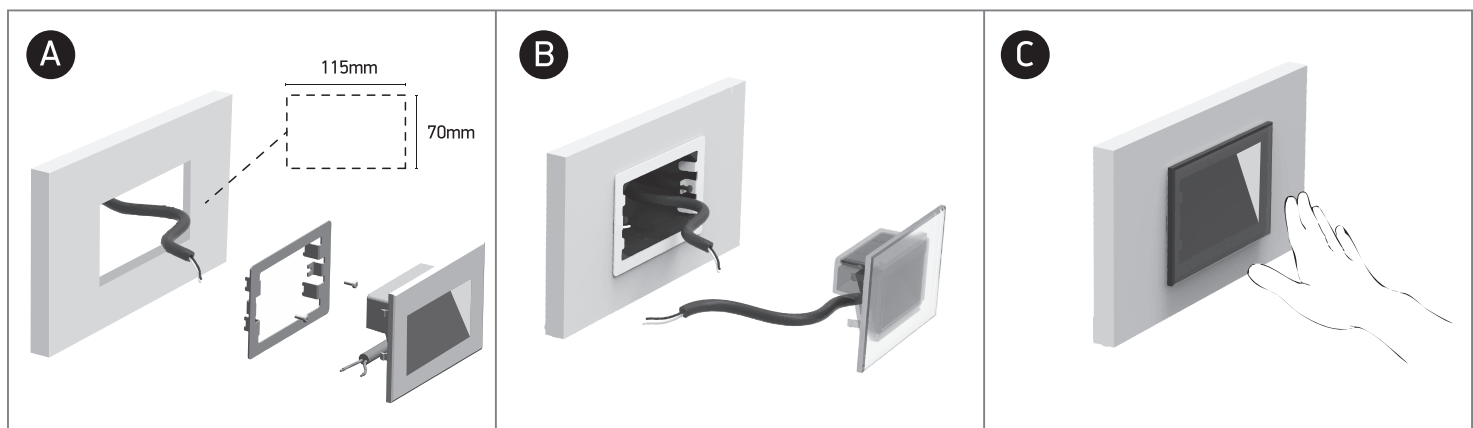
230V | SMD LED | 3W | IP65 | Glass + metal

AC LED.  
Supplied with box for  
concrete installation.80  
CRI

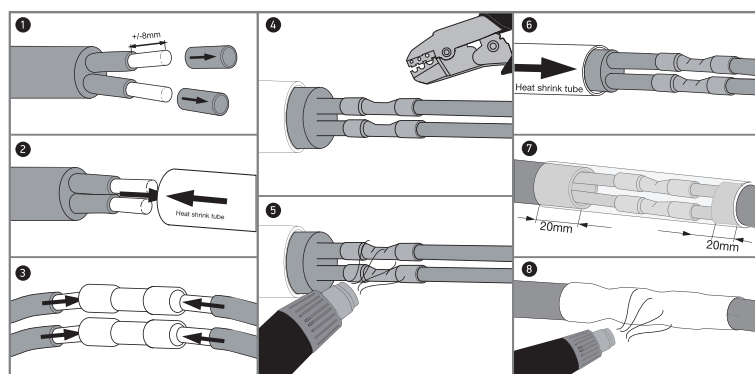
## CONCRETE INSTALLATION



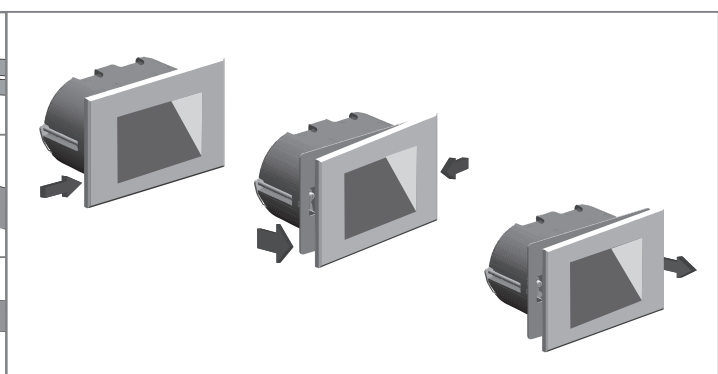
## GYPSUM INSTALLATION



## CONNECTION



## EXTRACT



### Warnings:

1. Make sure that the product is installed properly before connecting to electricity.
2. Do not cover the fitting.
3. Maintenance and installation should only be carried out by a professional electrician.