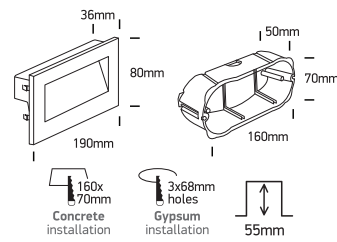


# INSTALLATION MANUAL

## 68076A

**ecolight**

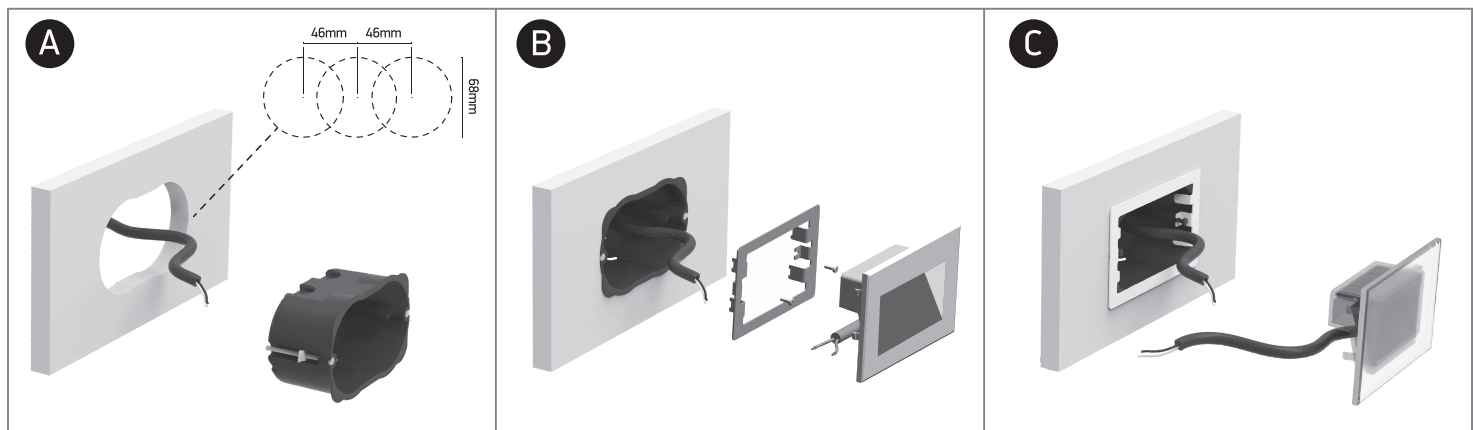


230V | SMD LED | 4W | IP65 | Glass + metal

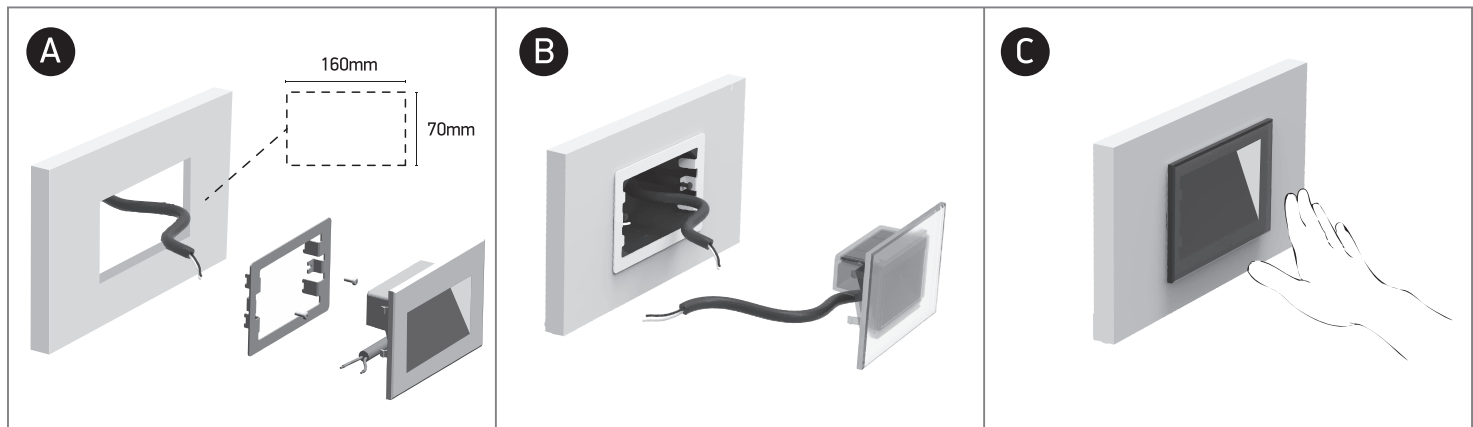
AC LED.  
Supplied with box for  
concrete installation.



### CONCRETE INSTALLATION

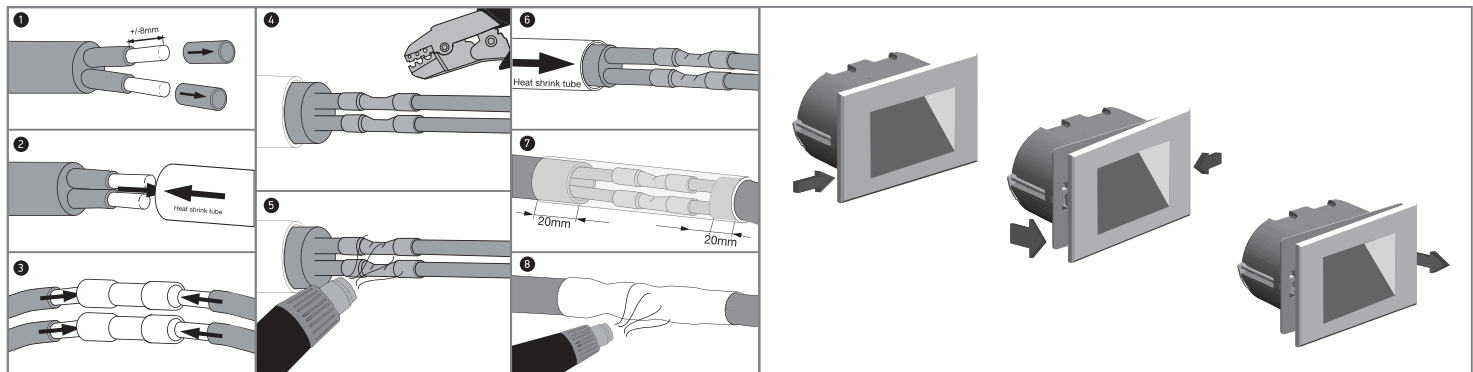


### GYPSUM INSTALLATION



### CONNECTION

### EXTRACT



### Warnings:

1. Make sure that the product is installed properly before connecting to electricity.
2. Do not cover the fitting.
3. Maintenance and installation should only be carried out by a professional electrician.