

INSTALLATION MANUAL

69002A

ecoinground



35mm

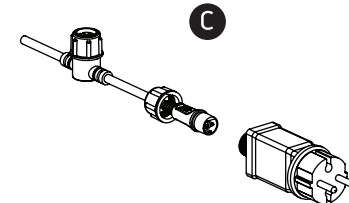
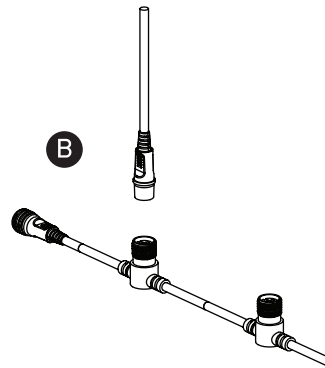
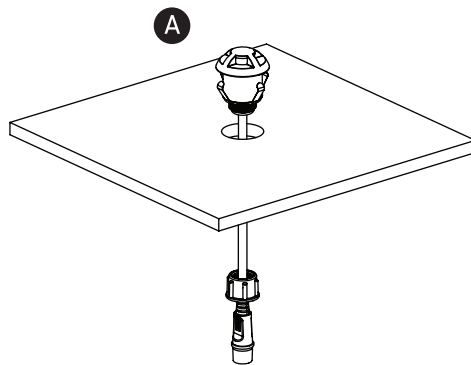
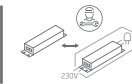


40mm

one
LIGHT

230V | SMD 2835 | 6x0,5W | IP67 | Stainless steel 316

Quick fix connectors & EU plug in driver.



Warnings:

1. Make sure that the product is installed properly before connecting to electricity.
2. Do not cover the fitting.
3. Maintenance and installation should only be carried out by a professional electrician.