

# INSTALLATION MANUAL

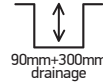
69015B

**ecoinground**

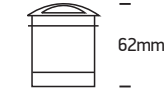
**LED**  
BUILT IN



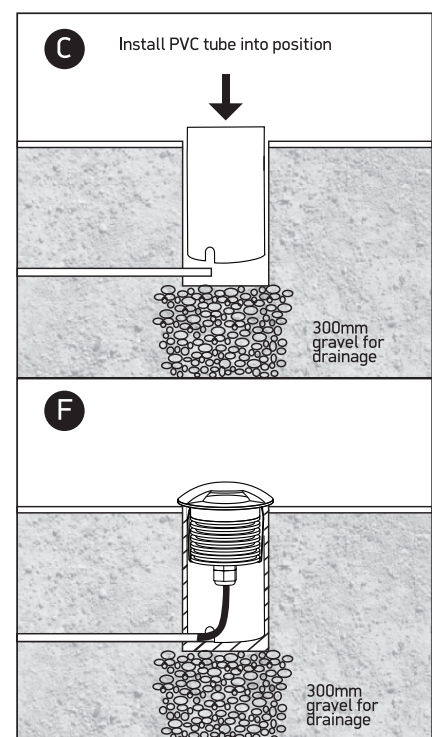
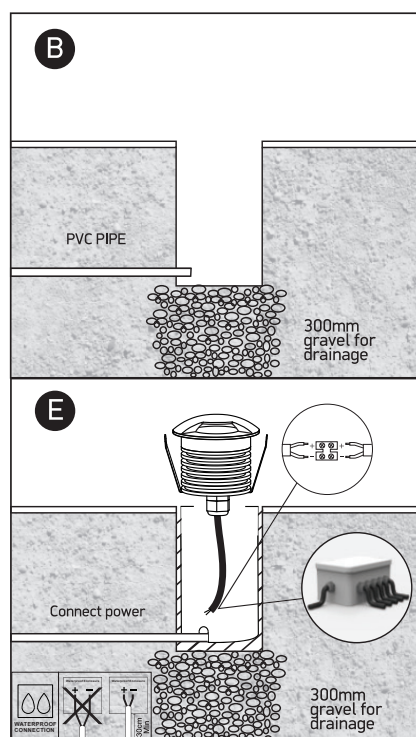
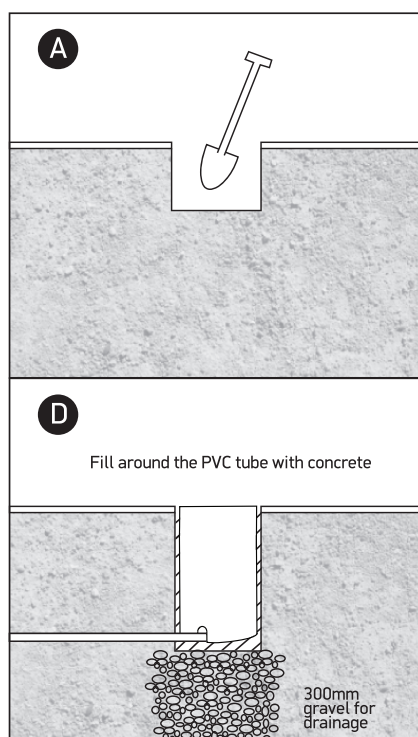
3W | 24VDC | IP67 | Aluminium  
Requires 24V DC driver.



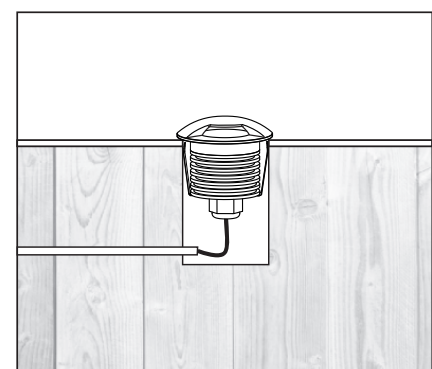
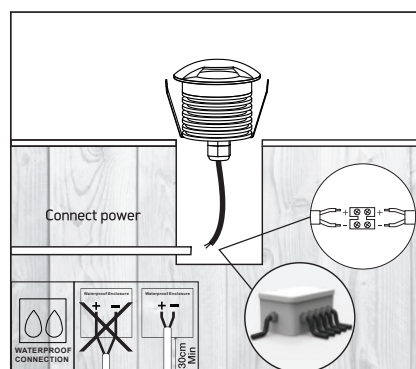
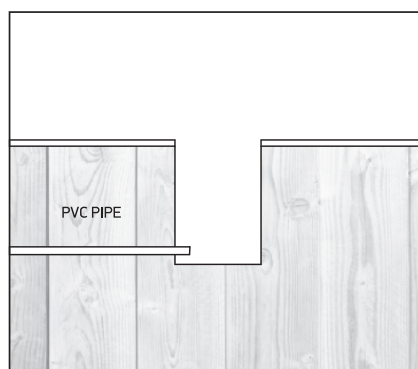
**90**  
CRI



## CONCRETE INSTALLATION



## DECKING INSTALLATION



### Warnings:

1. Make sure that the product is installed properly before connecting to electricity.
2. Do not cover the fitting.
3. Maintenance and installation should only be carried out by a professional electrician.