

INSTALLATION MANUAL

69042M

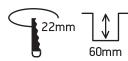
ec^oinground



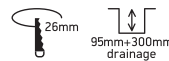
350mA/700mA | 1W/2W | IP67 | Aluminium

For 1W use 350mA driver / For 2W use 700mA driver.

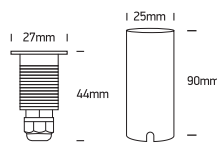
Gypsum/Decking Installation



Concrete Installation



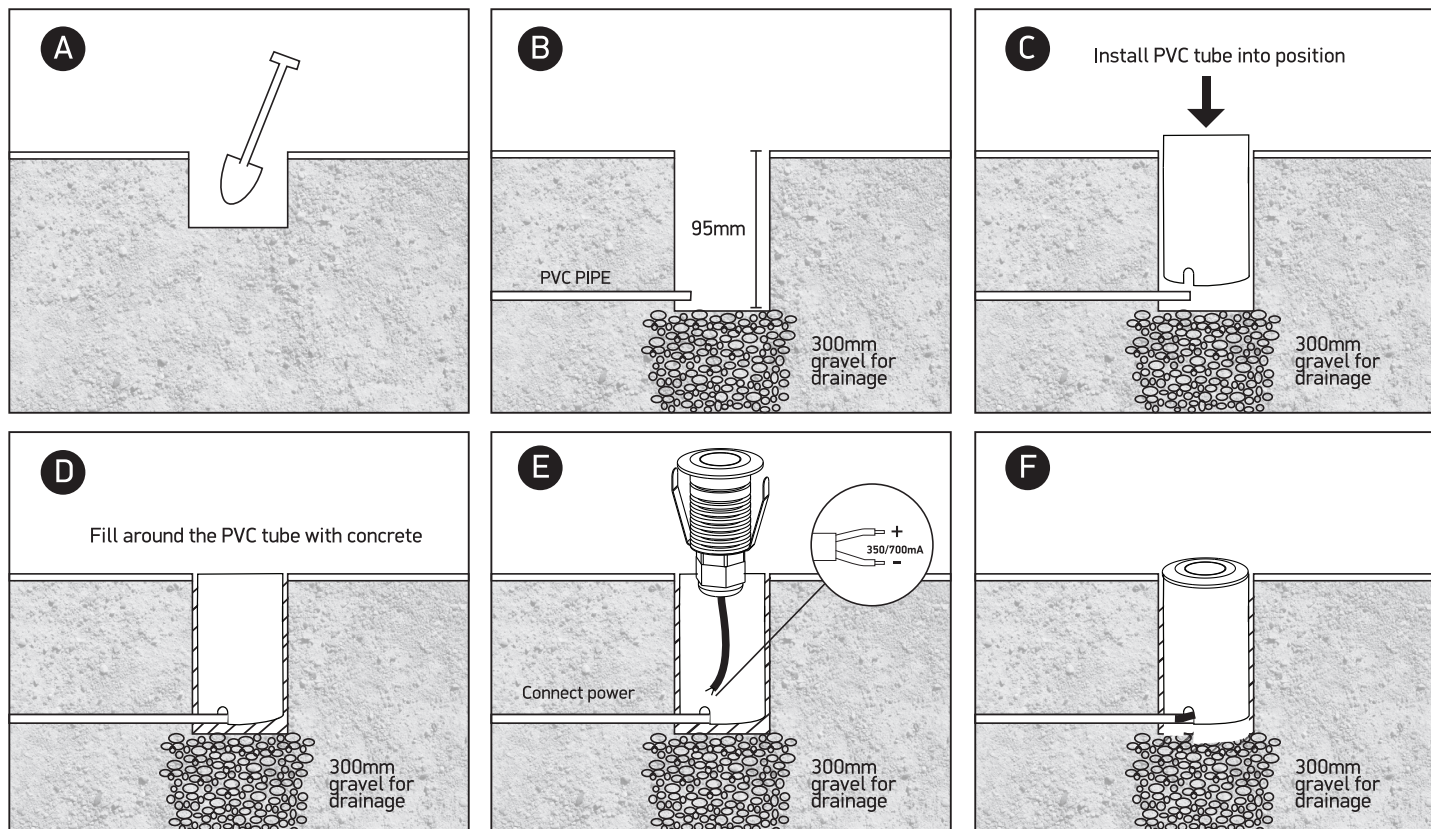
200cm



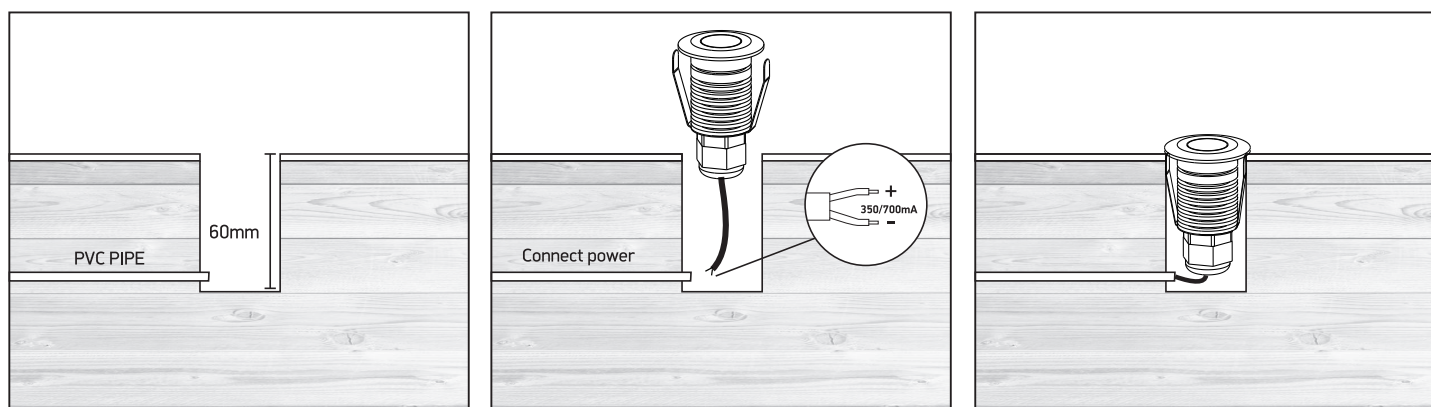
one
LIGHT



CONCRETE INSTALLATION



DECKING INSTALLATION



Warnings:

1. Make sure that the product is installed properly before connecting to electricity.
2. Do not cover the fitting.
3. Maintenance and installation should only be carried out by a professional electrician.