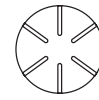


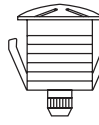
INSTALLATION MANUAL

69044

ecoinground

**85
CRI**


37mm

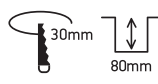


60mm

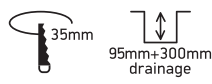
one
LIGHT

1W | 350mA | IP67 | Natural aluminium
Requires 350mA driver.
Supplied with box for concrete installation.

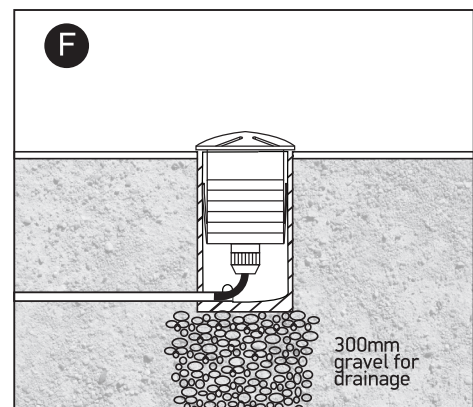
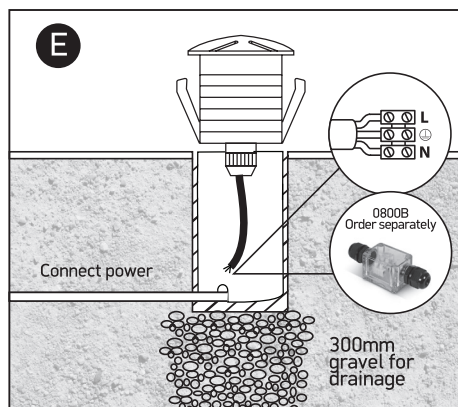
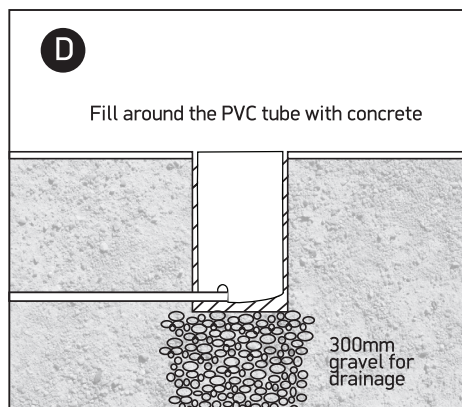
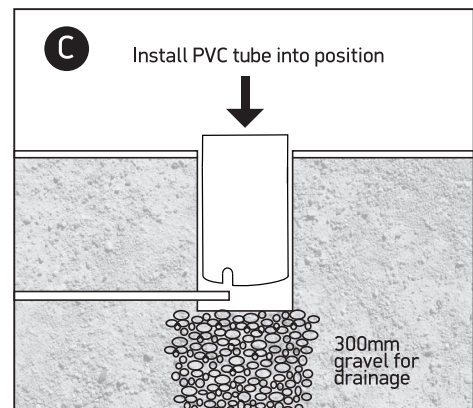
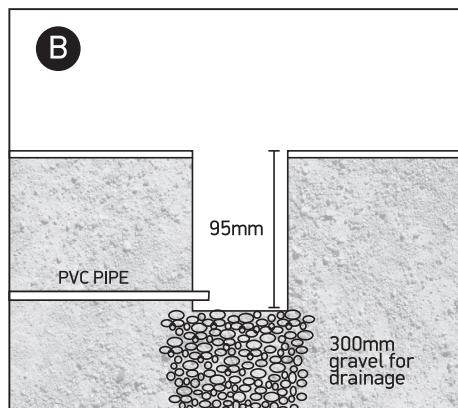
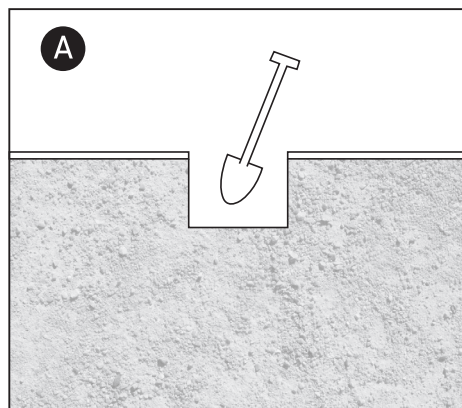
Decking Installation



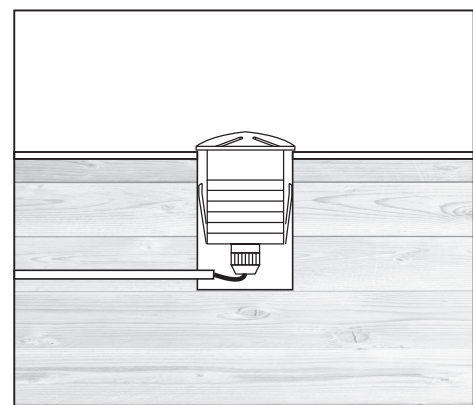
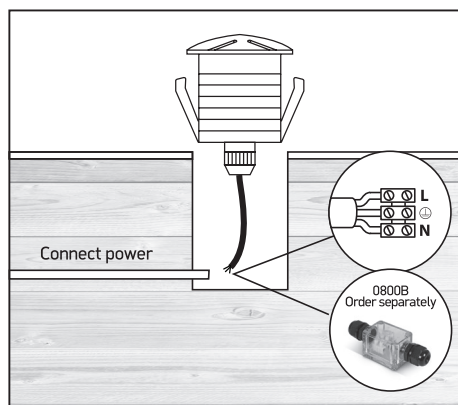
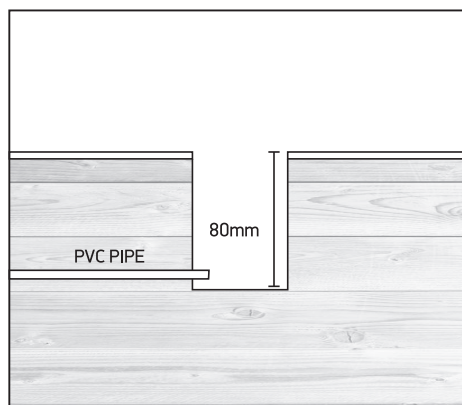
Concrete Installation



CONCRETE INSTALLATION



DECKING INSTALLATION



Warnings:

1. Make sure that the product is installed properly before connecting to electricity.
2. Do not cover the fitting.
3. Maintenance and installation should only be carried out by a professional electrician.