

INSTALLATION MANUAL

7028AG

ecofloodlight

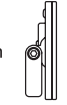
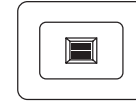

ADJUSTABLE

 80
CRI

50cm

130mm

30mm

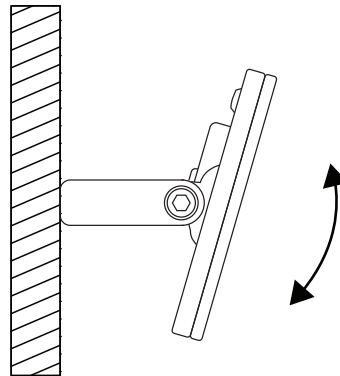

one
LIGHT

230V | SMD LED | 10W | IP65 | Die cast + tempered glass | Adjustable

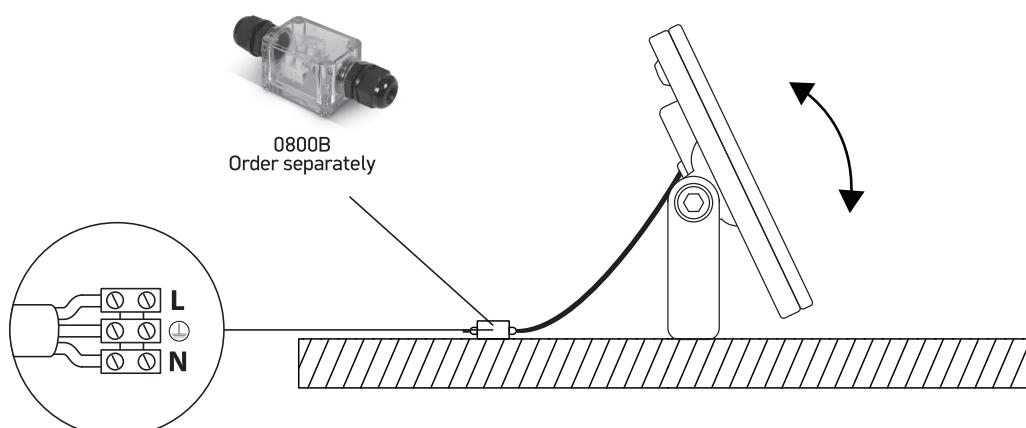


Plan carefully the position of the floodlight and fix the bracket with the appropriate accessories (not provided with the product).
Adjust the floodlight to the desired light angle.

A VERTICAL INSTALLATION METHOD



B HORIZONTAL INSTALLATION METHOD



Warnings:

1. Make sure that the product is installed properly before connecting to electricity.
2. Do not cover the fitting.
3. Maintenance and installation should only be carried out by a professional electrician.