

# INSTALLATION MANUAL

## 7028BG

**eco**floodlight

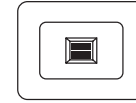

ADJUSTABLE

 80  
CRI

50cm

200mm

35mm



155mm

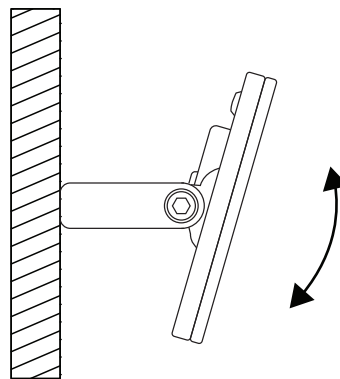

**one**  
LIGHT

230V | SMD LED | 30W | IP65 | Die cast + tempered glass | Adjustable

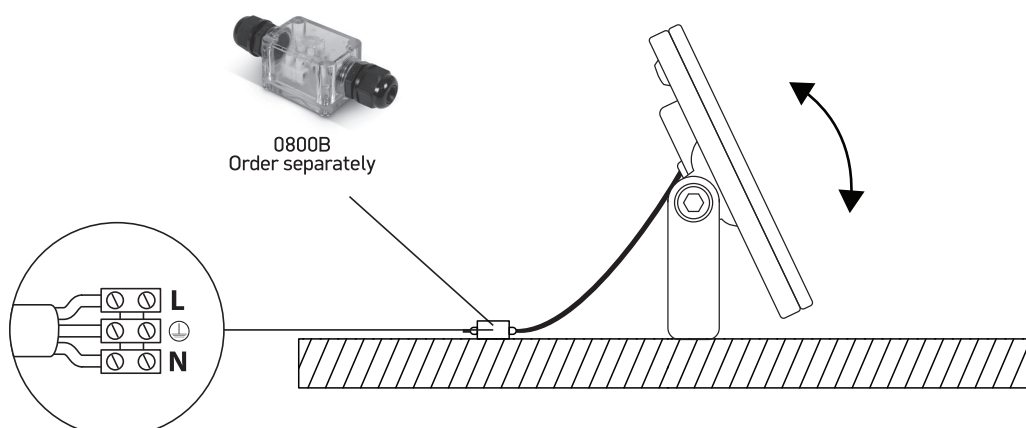


Plan carefully the position of the floodlight and fix the bracket with the appropriate accessories (not provided with the product).  
Adjust the floodlight to the desired light angle.

### A VERTICAL INSTALLATION METHOD



### B HORIZONTAL INSTALLATION METHOD



#### Warnings:

1. Make sure that the product is installed properly before connecting to electricity.
2. Do not cover the fitting.
3. Maintenance and installation should only be carried out by a professional electrician.