

# INSTALLATION MANUAL

67376, 67376A

**ecolight**



80  
CRI

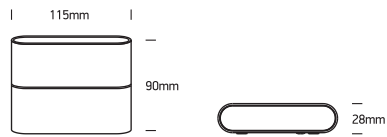
CE

RoHS  
COMPLIANT

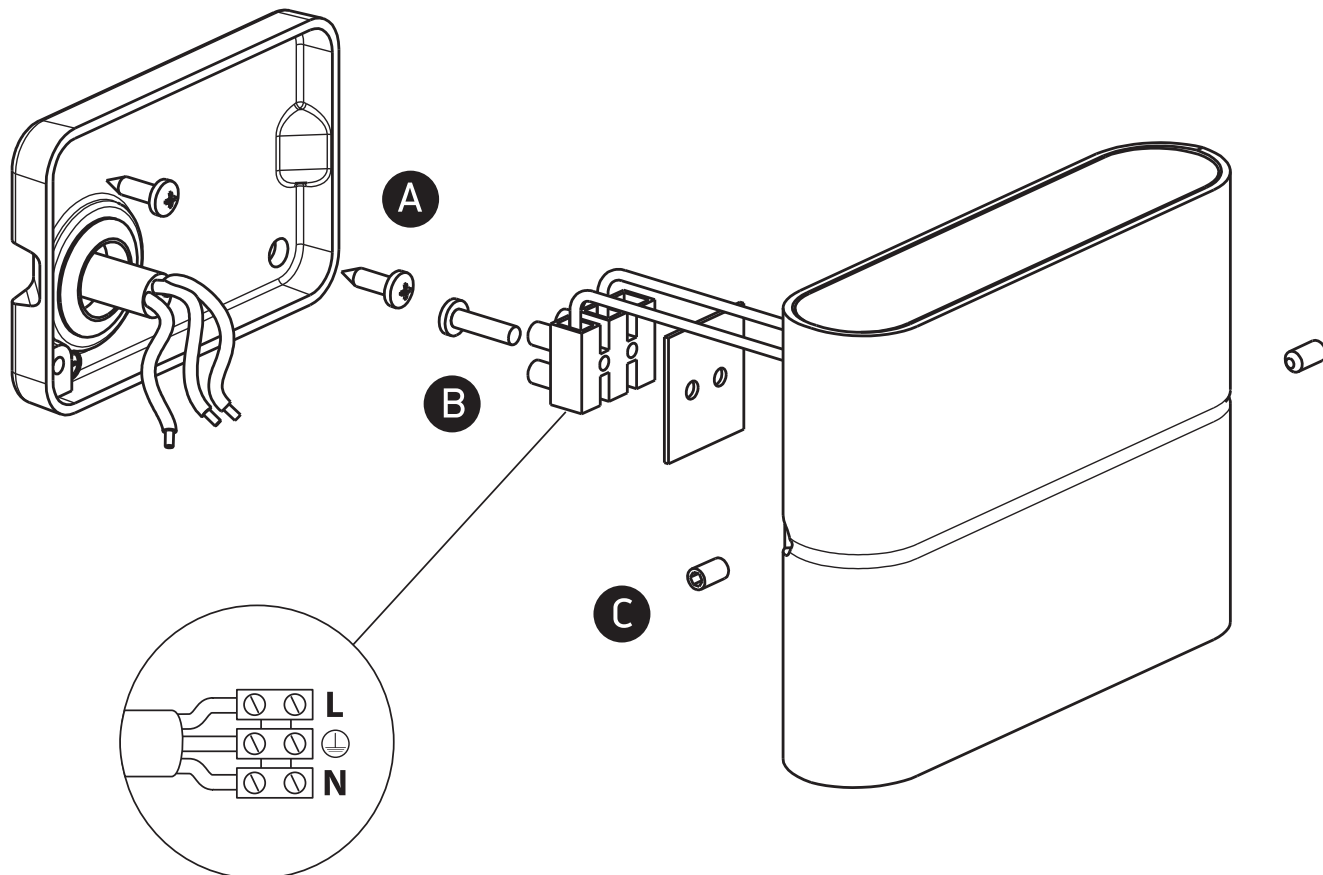
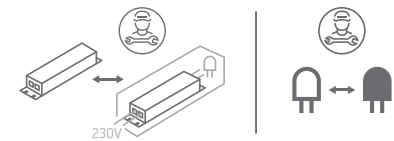
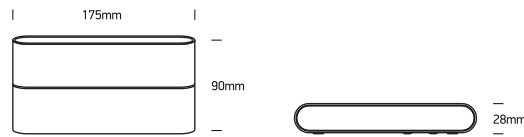


Complete with driver.

67376: 230V | 2x3W | IP54 | Die cast



67376A: 230V | 2x6W | IP54 | Die cast



## Warnings:

1. Make sure that the product is installed properly before connecting to electricity.
2. Do not cover the fitting.
3. Maintenance and installation should only be carried out by a professional electrician.